

# 316 STAINLESS STEEL EXTENSION SPRINGS

## Stock sizes in 316 stainless steel

Associated Spring Raymond now offers a complete line of 316 Stainless Steel compression springs. 316 Stainless steel provides superior temperature and corrosion resistance, which makes it particularly suitable for:

- Medical, surgical, veterinary and pharmaceutical applications
- Food and food preparation machinery and equipment
- Marine, aircraft and aerospace uses
- Harsh environment projects

## Materials

Stainless Steel: Type 316 per ASTM A313 (Chemical and Physical only)

Stainless steel is not recommended above 300 degrees C. (570 degrees F.).

Stainless steel 316 is **slightly magnetic** due to cold working during manufacturing. Stainless steel springs may have a slight residue of nickel on the surface of the wire. This is normal and will not affect the function of the part.

## Wire diameter is prior to forming.

All SPEC springs have uniform body diameter and are produced with full twist loops. They are wound with initial tension, therefore some force is required before the coils are initially separated.

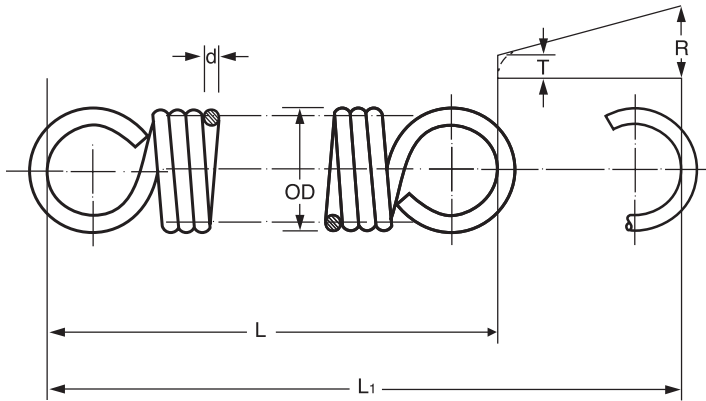
No charge for certificate of compliance when requested.

## Coil Direction (helix)

Right or left according to machine setup at time of run. Coil count is for reference only.

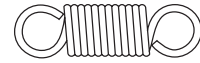
## Free Length

Free length is approximate only.



## Ends

Full twist loop. Special ends on request.



## End Position

The majority of the parts are in-line within +/- 22 degrees. All springs have full twist loops, but physical shape may appear different. If ends are critical to your application, please contact our Engineering Department.

End position is in line per DIN 2097.

## Tolerances

O.D. English	O.D. Metric
0.063 to 0.119" +/- 0.003"	1.60 to 3.02 mm +/- 0.08 mm
0.120 to 0.240" +/- 0.005"	3.05 to 6.10 mm +/- 0.13 mm
0.241 to 0.500" +/- 0.008"	6.12 to 12.70 mm +/- 0.20 mm
0.501 to 1.000" +/- 0.015"	12.73 to 25.40 mm +/- 0.38 mm
1.001 to 1.225" +/- 0.020"	25.43 to 31.12 mm +/- 0.51 mm
1.226 to 1.460" +/- 0.030"	31.14 to 37.08 mm +/- 0.76 mm
1.461 to 2.000" +/- 0.040"	37.11 to 50.80 mm +/- 1.02 mm

## Loads & Spring Rate

Initial tension T is for reference only and will vary.

Load and rate values are shown for both music wire and stainless steel in their respective columns.

Load P at L1 and spring rate R are +/- 10.0% – load at any other point is for reference only. Maximum load P is attained at extended length L1.

Load values at lengths other than L1, can be approximated by multiplying the proposed deflection by the rate R and adding the initial tension T.  $P = (Lx - L) \times R + T$  where Lx is the new extended length. Load at Lx should be reference only. Contact our Engineering Department if more stringent requirements are needed.

## Surface Finish

Plain wire, passivated per ASTM A967  
Special finishes available upon request.

## Packaging

Parts are bulk-packed. Due to physical characteristics, tangling can occur during transit on wire sizes under .035" (.89mm). Please inquire about ultrasonic cleaning and special packaging when ordering.

OD = Outside diameter	P = Load at L <sub>1</sub>
d = Wire diameter	R = Rate
L = Free length (reference use only inside hooks)	T = Initial Tension
L <sub>1</sub> = Loaded length (minimum working length)	

SPEC Extension springs are also available in various materials such as:

- Hard Drawn Steel
- Oil Tempered Wire
- Chrome Vanadium
- Chrome Silicon
- Phosphor Bronze
- Inconel®
- Monel®
- Beryllium Copper
- Elgiloy®
- Zinc Coated Music Wire

Please contact Associated Spring Raymond's engineering team for design and application assistance.



**SPEC**

TO ORDER: WWW.ASRAYMOND.COM OR SEE PHONE & FAX NUMBERS ON BACK COVER

**316 STAINLESS STEEL EXTENSION SPRINGS**

Catalog Number	Outside Diameter (OD)		Wire Diameter (d)		Free Length (L) Approx.		Ext. (L1)		Load P at L1		Initial Tension T (Ref. Only)		Spring Rate (R)	
	in	mm	in	mm	in	mm	in	mm	lb	N	lb	N	lb/in	N/mm
E0063-007-0250-X					0.250	6.35	0.36	9.15	0.12	0.52	2.06	0.11	0.8	0.146
E0063-007-0310-X					0.310	7.87	0.47	11.88	0.12	0.52	2.67	0.11	0.6	0.102
E0063-007-0380-X			0.007	0.18	0.380	9.65	0.60	15.26	0.12	0.52	3.43	0.11	0.4	0.073
E0063-007-0440-X					0.440	11.18	0.72	18.18	0.12	0.52	4.09	0.11	0.3	0.058
E0063-007-0500-X					0.500	12.70	0.78	19.71	0.12	0.52	4.43	0.11	0.3	0.058
E0063-008-0250-X					0.250	6.35	0.34	8.55	0.18	0.79	1.92	0.15	1.7	0.292
E0063-008-0310-X					0.310	7.87	0.43	11.02	0.18	0.79	2.48	0.15	1.2	0.204
E0063-008-0380-X					0.380	9.65	0.54	13.65	0.18	0.79	3.07	0.15	0.9	0.160
E0063-008-0440-X			0.008	0.20	0.440	11.18	0.63	16.06	0.18	0.79	3.61	0.15	0.7	0.131
E0063-008-0500-X					0.500	12.70	0.75	18.99	0.18	0.79	4.27	0.15	0.6	0.102
E0063-008-0620-X					0.620	15.75	0.91	23.08	0.18	0.79	5.19	0.15	0.5	0.088
E0063-008-0750-X					0.750	19.05	1.10	27.85	0.18	0.79	6.26	0.15	0.4	0.073
E0063-009-0250-X	0.063	1.60			0.250	6.35	0.32	8.07	0.26	1.15	1.81	0.22	3.1	0.540
E0063-009-0310-X					0.310	7.87	0.40	10.23	0.26	1.15	2.30	0.22	2.2	0.394
E0063-009-0380-X					0.380	9.65	0.50	12.68	0.26	1.15	2.85	0.22	1.7	0.306
E0063-009-0440-X			0.009	0.23	0.440	11.18	0.59	14.92	0.26	1.15	3.35	0.22	1.4	0.248
E0063-009-0500-X					0.500	12.70	0.68	17.24	0.26	1.15	3.88	0.22	1.2	0.204
E0063-009-0620-X					0.620	15.75	0.85	21.53	0.26	1.15	4.84	0.22	0.9	0.160
E0063-009-0750-X					0.750	19.05	1.03	26.12	0.26	1.15	5.87	0.22	0.7	0.131
E0063-011-0250-X					0.250	6.35	0.29	7.47	0.49	2.18	1.68	0.37	9.2	1.619
E0063-011-0310-X					0.310	7.87	0.37	9.44	0.49	2.18	2.12	0.37	6.6	1.152
E0063-011-0380-X					0.380	9.65	0.46	11.75	0.49	2.18	2.64	0.37	4.9	0.861
E0063-011-0440-X			0.011	0.28	0.440	11.18	0.54	13.76	0.49	2.18	3.09	0.37	4.0	0.700
E0063-011-0500-X					0.500	12.70	0.62	15.73	0.49	2.18	3.54	0.37	3.4	0.598
E0063-011-0620-X					0.620	15.75	0.77	19.62	0.49	2.18	4.41	0.37	2.7	0.467
E0063-011-0750-X					0.750	19.05	0.95	24.01	0.49	2.18	5.40	0.37	2.1	0.365
E0094-010-0380-X					0.380	9.65	0.57	14.36	0.23	1.01	3.23	0.19	1.0	0.175
E0094-010-0440-X					0.440	11.18	0.69	17.46	0.23	1.01	3.92	0.19	0.7	0.131
E0094-010-0500-X					0.500	12.70	0.78	19.77	0.23	1.01	4.44	0.19	0.7	0.117
E0094-010-0620-X			0.010	0.25	0.620	15.75	0.99	25.17	0.23	1.01	5.66	0.19	0.5	0.088
E0094-010-0750-X					0.750	19.05	1.31	33.18	0.23	1.01	7.46	0.19	0.3	0.058
E0094-010-0880-X					0.880	22.35	1.62	41.20	0.23	1.01	9.26	0.19	0.2	0.044
E0094-010-1000-X					1.000	25.40	1.74	44.25	0.23	1.01	9.95	0.19	0.2	0.044
E0094-011-0380-X					0.380	9.65	0.54	13.76	0.31	1.36	3.09	0.22	1.6	0.277
E0094-011-0440-X					0.440	11.18	0.64	16.38	0.31	1.36	3.68	0.22	1.2	0.219
E0094-011-0500-X	0.094	2.39			0.500	12.70	0.76	19.20	0.31	1.36	4.32	0.22	1.0	0.175
E0094-011-0620-X			0.011	0.28	0.620	15.75	0.96	24.41	0.31	1.36	5.49	0.22	0.7	0.131
E0094-011-0750-X					0.750	19.05	1.19	30.19	0.31	1.36	6.79	0.22	0.6	0.102
E0094-011-0880-X					0.880	22.35	1.39	35.35	0.31	1.36	7.95	0.22	0.5	0.088
E0094-011-1000-X					1.000	25.40	1.61	41.00	0.31	1.36	9.22	0.22	0.4	0.073
E0094-012-0380-X					0.380	9.65	0.50	12.69	0.40	1.79	2.85	0.37	2.7	0.467
E0094-012-0440-X					0.440	11.18	0.60	15.23	0.40	1.79	3.42	0.37	2.0	0.350
E0094-012-0500-X			0.012	0.30	0.500	12.70	0.69	17.57	0.40	1.79	3.95	0.37	1.7	0.292
E0094-012-0620-X					0.620	15.75	0.88	22.24	0.40	1.79	5.00	0.37	1.2	0.219
E0094-012-0750-X					0.750	19.05	1.07	27.16	0.40	1.79	6.11	0.37	1.0	0.175



TO ORDER: [WWW.ASRAYMOND.COM](http://WWW.ASRAYMOND.COM) OR SEE PHONE & FAX NUMBERS ON BACK COVER



**316 STAINLESS STEEL EXTENSION SPRINGS**

Catalog Number	Outside Diameter (OD)		Wire Diameter (d)		Free Length (L) Approx.		Ext. (L1)		Load P at L1		Initial Tension T (Ref. Only)		Spring Rate (R)	
	in	mm	in	mm	in	mm	in	mm	lb	N	lb	N	lb/in	N/mm
E0094-012-0880-X			0.012	0.30	0.880	22.35	1.26	32.08	0.40	1.79	7.21	0.37	0.8	0.146
E0094-012-1000-X					1.000	25.40	1.48	37.56	0.40	1.79	8.45	0.37	0.7	0.117
E0094-013-0380-X					0.380	9.65	0.49	12.53	0.52	2.30	2.82	0.37	3.8	0.671
E0094-013-0440-X					0.440	11.18	0.58	14.85	0.52	2.30	3.34	0.37	3.0	0.525
E0094-013-0500-X					0.500	12.70	0.67	17.11	0.52	2.30	3.85	0.37	2.5	0.438
E0094-013-0620-X			0.013	0.33	0.620	15.75	0.86	21.76	0.52	2.30	4.89	0.37	1.8	0.321
E0094-013-0750-X					0.750	19.05	1.06	26.83	0.52	2.30	6.03	0.37	1.4	0.248
E0094-013-0880-X					0.880	22.35	1.25	31.80	0.52	2.30	7.15	0.37	1.2	0.204
E0094-013-1000-X					1.000	25.40	1.43	36.42	0.52	2.30	8.19	0.37	1.0	0.175
E0094-014-0380-X					0.380	9.65	0.47	11.84	0.65	2.90	2.66	0.63	5.9	1.036
E0094-014-0440-X					0.440	11.18	0.55	14.01	0.65	2.90	3.15	0.63	4.6	0.802
E0094-014-0500-X	0.094	1.60			0.500	12.70	0.63	16.08	0.65	2.90	3.62	0.63	3.8	0.671
E0094-014-0620-X			0.014	0.36	0.620	15.75	0.80	20.33	0.65	2.90	4.57	0.63	2.8	0.496
E0094-014-0750-X					0.750	19.05	0.98	24.81	0.65	2.90	5.58	0.63	2.2	0.394
E0094-014-0880-X					0.880	22.35	1.16	29.43	0.65	2.90	6.62	0.63	1.8	0.321
E0094-014-1000-X					1.000	25.40	1.32	33.59	0.65	2.90	7.55	0.63	1.6	0.277
E0094-016-0380-X					0.380	9.65	0.45	11.45	1.00	4.43	2.57	0.70	11.8	2.071
E0094-016-0440-X					0.440	11.18	0.53	13.50	1.00	4.43	3.03	0.70	9.2	1.605
E0094-016-0500-X					0.500	12.70	0.61	15.48	1.00	4.43	3.48	0.70	7.7	1.342
E0094-016-0620-X			0.016	0.41	0.620	15.75	0.77	19.50	1.00	4.43	4.38	0.70	5.7	0.992
E0094-016-0750-X					0.750	19.05	0.94	23.87	1.00	4.43	5.37	0.70	4.4	0.773
E0094-016-0880-X					0.880	22.35	1.11	28.16	1.00	4.43	6.33	0.70	3.7	0.642
E0094-016-1000-X					1.000	25.40	1.27	32.30	1.00	4.43	7.26	0.70	3.1	0.540
E0120-014-0620-X					0.620	15.75	0.93	23.54	0.49	2.19	5.29	0.37	1.3	0.233
E0120-014-0750-X					0.750	19.05	1.16	29.44	0.49	2.19	6.62	0.37	1.0	0.175
E0120-014-0880-X					0.880	22.35	1.37	34.83	0.49	2.19	7.83	0.37	0.8	0.146
E0120-014-1000-X			0.014	0.36	1.000	25.40	1.61	40.99	0.49	2.19	9.22	0.37	0.7	0.117
E0120-014-1120-X					1.120	28.45	1.82	46.27	0.49	2.19	10.40	0.37	0.6	0.102
E0120-014-1250-X					1.250	31.75	2.07	52.54	0.49	2.19	11.81	0.37	0.5	0.088
E0120-014-1370-X					1.370	34.80	2.19	55.59	0.49	2.19	12.50	0.37	0.5	0.088
E0120-014-1500-X					1.500	38.10	2.48	63.05	0.49	2.19	14.17	0.37	0.4	0.073
E0120-016-0380-X					0.380	9.65	0.47	11.89	0.75	3.32	2.67	0.74	6.6	1.152
E0120-016-0500-X					0.500	12.70	0.65	16.54	0.75	3.32	3.72	0.74	3.8	0.671
E0120-016-0620-X	0.120	3.05			0.620	15.75	0.83	21.11	0.75	3.32	4.74	0.74	2.7	0.481
E0120-016-0750-X					0.750	19.05	1.03	26.12	0.75	3.32	5.87	0.74	2.1	0.365
E0120-016-0880-X					0.880	22.35	1.23	31.19	0.75	3.32	7.01	0.74	1.7	0.292
E0120-016-1000-X			0.016	0.41	1.000	25.40	1.41	35.80	0.75	3.32	8.05	0.74	1.4	0.248
E0120-016-1120-X					1.120	28.45	1.62	41.08	0.75	3.32	9.23	0.74	1.2	0.204
E0120-016-1250-X					1.250	31.75	1.79	45.35	0.75	3.32	10.20	0.74	1.1	0.190
E0120-016-1370-X					1.370	34.80	2.00	50.87	0.75	3.32	11.44	0.74	0.9	0.160
E0120-016-1500-X					1.500	38.10	2.20	55.78	0.75	3.32	12.54	0.74	0.8	0.146
E0120-016-1750-X					1.750	44.45	2.52	64.09	0.75	3.32	14.41	0.74	0.7	0.131
E0120-016-2000-X					2.000	50.80	2.99	76.06	0.75	3.32	17.10	0.74	0.6	0.102
E0120-018-0380-X			0.018	0.46	0.380	9.65	0.46	11.58	1.08	4.80	2.60	0.74	12.0	2.101
E0120-018-0500-X					0.500	12.70	0.63	15.94	1.08	4.80	3.58	0.74	7.2	1.255



**316 STAINLESS STEEL EXTENSION SPRINGS**

Catalog Number	Outside Diameter (OD)		Wire Diameter (d)		Free Length (L) Approx.		Ext. (L1)		Load P at L1		Initial Tension T (Ref. Only)		Spring Rate (R)	
	in	mm	in	mm	in	mm	in	mm	lb	N	lb	N	lb/in	N/mm
E0120-018-0620-X					0.620	15.75	0.80	20.31	1.08	4.80	4.57	0.74	5.1	0.890
E0120-018-0750-X					0.750	19.05	0.98	24.97	1.08	4.80	5.61	0.74	3.9	0.686
E0120-018-0880-X					0.880	22.35	1.17	29.67	1.08	4.80	6.67	0.74	3.2	0.554
E0120-018-1000-X					1.000	25.40	1.33	33.83	1.08	4.80	7.61	0.74	2.7	0.481
E0120-018-1120-X					1.120	28.45	1.51	38.39	1.08	4.80	8.63	0.74	2.3	0.408
E0120-018-1250-X			0.018	0.46	1.250	31.75	1.69	42.88	1.08	4.80	9.64	0.74	2.1	0.365
E0120-018-1370-X					1.370	34.80	1.87	47.45	1.08	4.80	10.67	0.74	1.8	0.321
E0120-018-1500-X					1.500	38.10	2.05	52.01	1.08	4.80	11.69	0.74	1.7	0.292
E0120-018-1750-X					1.750	44.45	2.39	60.82	1.08	4.80	13.67	0.74	1.4	0.248
E0120-018-2000-X					2.000	50.80	2.78	70.68	1.08	4.80	15.89	0.74	1.2	0.204
E0120-018-2250-X					2.250	57.15	3.09	78.55	1.08	4.80	17.66	0.74	1.1	0.190
E0120-020-0500-X					0.500	12.70	0.60	15.24	1.51	6.70	3.43	1.11	12.6	2.203
E0120-020-0620-X					0.620	15.75	0.76	19.30	1.51	6.70	4.34	1.11	9.0	1.575
E0120-020-0750-X					0.750	19.05	0.93	23.67	1.51	6.70	5.32	1.11	6.9	1.211
E0120-020-0880-X					0.880	22.35	1.11	28.07	1.51	6.70	6.31	1.11	5.6	0.977
E0120-020-1000-X					1.000	25.40	1.25	31.79	1.51	6.70	7.15	1.11	5.0	0.875
E0120-020-1120-X			0.020	0.51	1.120	28.45	1.41	35.82	1.51	6.70	8.05	1.11	4.3	0.759
E0120-020-1250-X	0.120	3.05			1.250	31.75	1.59	40.26	1.51	6.70	9.05	1.11	3.7	0.656
E0120-020-1370-X					1.370	34.80	1.75	44.38	1.51	6.70	9.98	1.11	3.3	0.583
E0120-020-1500-X					1.500	38.10	1.91	48.45	1.51	6.70	10.89	1.11	3.1	0.540
E0120-020-1750-X					1.750	44.45	2.24	56.81	1.51	6.70	12.77	1.11	2.6	0.452
E0120-020-2000-X					2.000	50.80	2.58	65.53	1.51	6.70	14.73	1.11	2.2	0.379
E0120-020-2250-X					2.250	57.15	2.94	74.56	1.51	6.70	16.76	1.11	1.8	0.321
E0120-022-0620-X					0.620	15.75	0.73	18.64	2.03	9.01	4.19	1.30	15.2	2.669
E0120-022-0750-X					0.750	19.05	0.90	22.83	2.03	9.01	5.13	1.30	11.7	2.042
E0120-022-0880-X					0.880	22.35	1.06	26.99	2.03	9.01	6.07	1.30	9.5	1.663
E0120-022-1000-X					1.000	25.40	1.21	30.85	2.03	9.01	6.94	1.30	8.1	1.415
E0120-022-1120-X					1.120	28.45	1.36	34.67	2.03	9.01	7.79	1.30	7.1	1.240
E0120-022-1250-X			0.022	0.56	1.250	31.75	1.53	38.90	2.03	9.01	8.74	1.30	6.2	1.079
E0120-022-1370-X					1.370	34.80	1.68	42.69	2.03	9.01	9.60	1.30	5.6	0.977
E0120-022-1500-X					1.500	38.10	1.85	46.91	2.03	9.01	10.55	1.30	5.0	0.875
E0120-022-1750-X					1.750	44.45	2.17	55.03	2.03	9.01	12.37	1.30	4.2	0.729
E0120-022-2000-X					2.000	50.80	2.48	63.10	2.03	9.01	14.19	1.30	3.6	0.627
E0120-022-2250-X					2.250	57.15	2.80	71.06	2.03	9.01	15.98	1.30	3.2	0.554
E0120-022-2500-X					2.500	63.50	3.11	79.05	2.03	9.01	17.77	1.30	2.8	0.496
E0180-014-0620-X					0.620	15.75	1.13	28.78	0.31	1.40	6.47	0.26	0.5	0.088
E0180-014-0750-X					0.750	19.05	1.52	38.60	0.31	1.40	8.68	0.26	0.3	0.058
E0180-014-1000-X			0.014	0.36	1.000	25.40	2.03	51.46	0.31	1.40	11.57	0.26	0.2	0.044
E0180-014-1250-X					1.250	31.75	2.79	70.85	0.31	1.40	15.93	0.26	0.2	0.029
E0180-014-1500-X	0.180	4.57			1.500	38.10	3.69	93.77	0.31	1.40	21.08	0.26	0.1	0.020
E0180-018-0620-X					0.620	15.75	0.93	23.54	0.68	3.02	5.29	0.52	1.8	0.321
E0180-018-0750-X					0.750	19.05	1.20	30.48	0.68	3.02	6.85	0.52	1.2	0.219
E0180-018-0880-X			0.018	0.46	0.880	22.35	1.44	36.64	0.68	3.02	8.24	0.52	1.0	0.175
E0180-018-1000-X					1.000	25.40	1.68	42.55	0.68	3.02	9.57	0.52	0.8	0.146
E0180-018-1120-X					1.120	28.45	1.96	49.88	0.68	3.02	11.21	0.52	0.7	0.117



TO ORDER: [WWW.ASRAYMOND.COM](http://WWW.ASRAYMOND.COM) OR SEE PHONE & FAX NUMBERS ON BACK COVER



**316 STAINLESS STEEL EXTENSION SPRINGS**

Catalog Number	Outside Diameter (OD)		Wire Diameter (d)		Free Length (L) Approx.		Ext. (L1)		Load P at L1		Initial Tension T (Ref. Only)		Spring Rate (R)	
	in	mm	in	mm	in	mm	in	mm	lb	N	lb	N	lb/in	N/mm
E0180-018-1250-X					1.250	31.75	2.21	56.25	0.68	3.02	12.65	0.52	0.6	0.102
E0180-018-1370-X					1.370	34.80	2.50	63.38	0.68	3.02	14.25	0.52	0.5	0.088
E0180-018-1500-X					1.500	38.10	2.85	72.39	0.68	3.02	16.28	0.52	0.4	0.073
E0180-018-1750-X			0.018	0.46	1.750	44.45	3.10	78.74	0.68	3.02	17.70	0.52	0.4	0.073
E0180-018-2000-X					2.000	50.80	3.69	93.67	0.68	3.02	21.06	0.52	0.3	0.058
E0180-018-2250-X					2.250	57.15	4.50	114.31	0.68	3.02	25.70	0.52	0.2	0.044
E0180-018-2500-X					2.500	63.50	4.75	120.66	0.68	3.02	27.13	0.52	0.2	0.044
E0180-020-0620-X					0.620	15.75	0.87	22.02	0.94	4.18	4.95	0.70	3.2	0.554
E0180-020-0750-X					0.750	19.05	1.10	27.88	0.94	4.18	6.27	0.70	2.2	0.394
E0180-020-0880-X					0.880	22.35	1.35	34.27	0.94	4.18	7.70	0.70	1.7	0.292
E0180-020-1000-X					1.000	25.40	1.55	39.42	0.94	4.18	8.86	0.70	1.4	0.248
E0180-020-1120-X					1.120	28.45	1.79	45.47	0.94	4.18	10.22	0.70	1.2	0.204
E0180-020-1250-X			0.020	0.51	1.250	31.75	2.03	51.61	0.94	4.18	11.60	0.70	1.0	0.175
E0180-020-1370-X					1.370	34.80	2.22	56.46	0.94	4.18	12.69	0.70	0.9	0.160
E0180-020-1500-X					1.500	38.10	2.44	61.93	0.94	4.18	13.92	0.70	0.8	0.146
E0180-020-1750-X					1.750	44.45	2.92	74.24	0.94	4.18	16.69	0.70	0.7	0.117
E0180-020-2000-X					2.000	50.80	3.34	84.84	0.94	4.18	19.07	0.70	0.6	0.102
E0180-020-2250-X					2.250	57.15	3.81	96.86	0.94	4.18	21.78	0.70	0.5	0.088
E0180-020-2500-X					2.500	63.50	4.38	111.16	0.94	4.18	24.99	0.70	0.4	0.073
E0180-022-0500-X					0.500	12.70	0.63	15.89	1.26	5.62	3.57	0.74	8.7	1.532
E0180-022-0620-X					0.620	15.75	0.83	21.06	1.26	5.62	4.73	0.74	5.2	0.919
E0180-022-0750-X					0.750	19.05	1.05	26.65	1.26	5.62	5.99	0.74	3.7	0.642
E0180-022-0880-X	0.180	4.57			0.880	22.35	1.27	32.19	1.26	5.62	7.24	0.74	2.8	0.496
E0180-022-1000-X					1.000	25.40	1.47	37.35	1.26	5.62	8.40	0.74	2.3	0.408
E0180-022-1120-X					1.120	28.45	1.67	42.38	1.26	5.62	9.53	0.74	2.0	0.350
E0180-022-1250-X			0.022	0.56	1.250	31.75	1.91	48.47	1.26	5.62	10.90	0.74	1.7	0.292
E0180-022-1370-X					1.370	34.80	2.10	53.38	1.26	5.62	12.00	0.74	1.5	0.263
E0180-022-1500-X					1.500	38.10	2.32	59.00	1.26	5.62	13.27	0.74	1.3	0.233
E0180-022-1750-X					1.750	44.45	2.76	70.18	1.26	5.62	15.78	0.74	1.1	0.190
E0180-022-2000-X					2.000	50.80	3.10	78.67	1.26	5.62	17.69	0.74	1.0	0.175
E0180-022-2250-X					2.250	57.15	3.57	90.60	1.26	5.62	20.37	0.74	0.8	0.146
E0180-022-2500-X					2.500	63.50	3.96	100.66	1.26	5.62	22.63	0.74	0.7	0.131
E0180-024-0620-X					0.620	15.75	0.79	20.04	1.65	7.35	4.51	1.15	8.2	1.444
E0180-024-0750-X					0.750	19.05	0.99	25.21	1.65	7.35	5.67	1.15	5.7	1.007
E0180-024-0880-X					0.880	22.35	1.20	30.37	1.65	7.35	6.83	1.15	4.4	0.773
E0180-024-1000-X					1.000	25.40	1.38	35.06	1.65	7.35	7.88	1.15	3.7	0.642
E0180-024-1120-X					1.120	28.45	1.57	39.94	1.65	7.35	8.98	1.15	3.1	0.540
E0180-024-1250-X			0.024	0.61	1.250	31.75	1.77	45.04	1.65	7.35	10.12	1.15	2.7	0.467
E0180-024-1370-X					1.370	34.80	1.95	49.46	1.65	7.35	11.12	1.15	2.4	0.423
E0180-024-1500-X					1.500	38.10	2.17	55.10	1.65	7.35	12.39	1.15	2.1	0.365
E0180-024-1750-X					1.750	44.45	2.55	64.69	1.65	7.35	14.54	1.15	1.7	0.306
E0180-024-2000-X					2.000	50.80	2.93	74.42	1.65	7.35	16.73	1.15	1.5	0.263
E0180-024-2250-X					2.250	57.15	3.30	83.72	1.65	7.35	18.82	1.15	1.3	0.233
E0180-024-2500-X					2.500	63.50	3.70	93.87	1.65	7.35	21.10	1.15	1.2	0.204
E0180-026-0500-X			0.026	0.66	0.500	12.70	0.59	14.95	2.12	9.44	3.36	1.48	20.2	3.545



**SPEC**

TO ORDER: [WWW.ASRAYMOND.COM](http://WWW.ASRAYMOND.COM) OR SEE PHONE & FAX NUMBERS ON BACK COVER

**316 STAINLESS STEEL EXTENSION SPRINGS**

Catalog Number	Outside Diameter (OD)		Wire Diameter (d)		Free Length (L) Approx.		Ext. (L1)		Load P at L1		Initial Tension T (Ref. Only)		Spring Rate (R)	
	in	mm	in	mm	in	mm	in	mm	lb	N	lb	N	lb/in	N/mm
E0180-026-0620-X					0.620	15.75	0.76	19.38	2.12	9.44	4.36	1.48	12.5	2.188
E0180-026-0750-X					0.750	19.05	0.95	24.20	2.12	9.44	5.44	1.48	8.8	1.546
E0180-026-0880-X					0.880	22.35	1.14	29.00	2.12	9.44	6.52	1.48	6.8	1.196
E0180-026-1000-X					1.000	25.40	1.32	33.42	2.12	9.44	7.51	1.48	5.7	0.992
E0180-026-1120-X					1.120	28.45	1.48	37.69	2.12	9.44	8.47	1.48	4.9	0.861
E0180-026-1250-X			0.026	0.66	1.250	31.75	1.67	42.45	2.12	9.44	9.54	1.48	4.2	0.744
E0180-026-1370-X					1.370	34.80	1.85	46.92	2.12	9.44	10.55	1.48	3.7	0.656
E0180-026-1500-X					1.500	38.10	2.04	51.74	2.12	9.44	11.63	1.48	3.3	0.583
E0180-026-1750-X					1.750	44.45	2.40	60.98	2.12	9.44	13.71	1.48	2.7	0.481
E0180-026-2000-X					2.000	50.80	2.77	70.28	2.12	9.44	15.80	1.48	2.3	0.408
E0180-026-2250-X					2.250	57.15	3.14	79.88	2.12	9.44	17.96	1.48	2.0	0.350
E0180-026-2500-X					2.500	63.50	3.52	89.48	2.12	9.44	20.12	1.48	1.7	0.306
E0180-029-0620-X					0.620	15.75	0.74	18.68	2.98	13.27	4.20	1.93	22.1	3.866
E0180-029-0750-X					0.750	19.05	0.91	23.16	2.98	13.27	5.21	1.93	15.7	2.757
E0180-029-0880-X					0.880	22.35	1.09	27.64	2.98	13.27	6.21	1.93	12.2	2.144
E0180-029-1000-X					1.000	25.40	1.25	31.77	2.98	13.27	7.14	1.93	10.2	1.780
E0180-029-1120-X					1.120	28.45	1.41	35.93	2.98	13.27	8.08	1.93	8.7	1.517
E0180-029-1250-X			0.029	0.74	1.250	31.75	1.59	40.39	2.98	13.27	9.08	1.93	7.5	1.313
E0180-029-1370-X					1.370	34.80	1.75	44.52	2.98	13.27	10.01	1.93	6.7	1.167
E0180-029-1500-X					1.500	38.10	1.93	49.05	2.98	13.27	11.03	1.93	5.9	1.036
E0180-029-1750-X					1.750	44.45	2.27	57.63	2.98	13.27	12.96	1.93	4.9	0.861
E0180-029-2000-X					2.000	50.80	2.61	66.35	2.98	13.27	14.92	1.93	4.2	0.729
E0180-029-2250-X	0.180	4.57			2.250	57.15	2.95	74.82	2.98	13.27	16.82	1.93	3.7	0.642
E0180-029-2500-X					2.500	63.50	3.28	83.44	2.98	13.27	18.76	1.93	3.2	0.569
E0180-031-0500-X					0.500	12.70	0.56	14.34	3.69	16.43	3.22	2.22	49.5	8.665
E0180-031-0620-X					0.620	15.75	0.72	18.32	3.69	16.43	4.12	2.22	31.5	5.514
E0180-031-0750-X					0.750	19.05	0.89	22.64	3.69	16.43	5.09	2.22	22.6	3.953
E0180-031-0880-X					0.880	22.35	1.06	26.97	3.69	16.43	6.06	2.22	17.6	3.078
E0180-031-1000-X					1.000	25.40	1.22	30.87	3.69	16.43	6.94	2.22	14.8	2.597
E0180-031-1120-X					1.120	28.45	1.37	34.86	3.69	16.43	7.84	2.22	12.7	2.217
E0180-031-1250-X			0.031	0.79	1.250	31.75	1.54	39.18	3.69	16.43	8.81	2.22	10.9	1.911
E0180-031-1370-X					1.370	34.80	1.70	43.19	3.69	16.43	9.71	2.22	9.7	1.692
E0180-031-1500-X					1.500	38.10	1.87	47.38	3.69	16.43	10.65	2.22	8.7	1.532
E0180-031-1750-X					1.750	44.45	2.19	55.64	3.69	16.43	12.51	2.22	7.2	1.269
E0180-031-2000-X					2.000	50.80	2.51	63.79	3.69	16.43	14.34	2.22	6.2	1.094
E0180-031-2250-X					2.250	57.15	2.84	72.13	3.69	16.43	16.22	2.22	5.4	0.948
E0180-031-2500-X					2.500	63.50	3.18	80.89	3.69	16.43	18.19	2.22	4.7	0.817
E0180-031-2750-X					2.750	69.85	3.50	88.95	3.69	16.43	20.00	2.22	4.2	0.744
E0180-034-0620-X					0.620	15.75	0.70	17.83	4.90	21.80	4.01	3.00	51.5	9.015
E0180-034-0750-X					0.750	19.05	0.86	21.93	4.90	21.80	4.93	3.00	37.2	6.521
E0180-034-0880-X					0.880	22.35	1.02	26.03	4.90	21.80	5.85	3.00	29.2	5.106
E0180-034-1000-X			0.034	0.86	1.000	25.40	1.17	29.81	4.90	21.80	6.70	3.00	24.3	4.260
E0180-034-1120-X					1.120	28.45	1.32	33.60	4.90	21.80	7.55	3.00	20.8	3.647
E0180-034-1250-X					1.250	31.75	1.48	37.72	4.90	21.80	8.48	3.00	18.0	3.151
E0180-034-1370-X					1.370	34.80	1.63	41.48	4.90	21.80	9.32	3.00	16.1	2.815



TO ORDER: [WWW.ASRAYMOND.COM](http://WWW.ASRAYMOND.COM) OR SEE PHONE & FAX NUMBERS ON BACK COVER



### 316 STAINLESS STEEL EXTENSION SPRINGS

Catalog Number	Outside Diameter (OD)		Wire Diameter (d)		Free Length (L) Approx.		Ext. (L1)		Load P at L1		Initial Tension T (Ref. Only)		Spring Rate (R)	
	in	mm	in	mm	in	mm	in	mm	lb	N	lb	N	lb/in	N/mm
E0180-034-1500-X					1.500	38.10	1.79	45.59	4.90	21.80	10.25	3.00	14.3	2.509
E0180-034-1750-X					1.750	44.45	2.10	53.46	4.90	21.80	12.02	3.00	11.9	2.086
E0180-034-2000-X	0.180	6.10	0.034	0.86	2.000	50.80	2.42	61.36	4.90	21.80	13.80	3.00	10.2	1.780
E0180-034-2250-X					2.250	57.15	2.72	69.19	4.90	21.80	15.56	3.00	8.9	1.561
E0180-034-2500-X					2.500	63.50	3.03	77.07	4.90	21.80	17.33	3.00	7.9	1.386
E0180-034-2750-X					2.750	69.85	3.35	85.01	4.90	21.80	19.11	3.00	7.1	1.240
E0240-018-0620-X					0.620	15.75	0.92	23.43	0.49	2.20	5.27	0.41	1.3	0.233
E0240-018-0750-X					0.750	19.05	1.29	32.70	0.49	2.20	7.35	0.41	0.7	0.131
E0240-018-0880-X					0.880	22.35	1.69	42.83	0.49	2.20	9.63	0.41	0.5	0.088
E0240-018-1000-X					1.000	25.40	1.97	49.98	0.49	2.20	11.24	0.41	0.4	0.073
E0240-018-1250-X			0.018	0.46	1.250	31.75	2.86	72.71	0.49	2.20	16.35	0.41	0.2	0.044
E0240-018-1500-X					1.500	38.10	3.92	99.54	0.49	2.20	22.38	0.41	0.2	0.029
E0240-018-2000-X					2.000	50.80	4.42	112.24	0.49	2.20	25.23	0.41	0.2	0.029
E0240-018-2500-X					2.500	63.50	7.34	186.38	0.49	2.20	41.90	0.41	0.1	0.015
E0240-018-2750-X					2.750	69.85	7.59	192.73	0.49	2.20	43.33	0.41	0.1	0.015
E0240-022-0620-X					0.620	15.75	0.83	21.11	0.92	4.07	4.75	0.70	3.6	0.627
E0240-022-0750-X					0.750	19.05	1.13	28.66	0.92	4.07	6.44	0.70	2.0	0.350
E0240-022-0880-X					0.880	22.35	1.41	35.93	0.92	4.07	8.08	0.70	1.4	0.248
E0240-022-1000-X					1.000	25.40	1.70	43.15	0.92	4.07	9.70	0.70	1.1	0.190
E0240-022-1120-X					1.120	28.45	1.95	49.43	0.92	4.07	11.11	0.70	0.9	0.160
E0240-022-1250-X					1.250	31.75	2.26	57.39	0.92	4.07	12.90	0.70	0.7	0.131
E0240-022-1370-X			0.022	0.56	1.370	34.80	2.51	63.64	0.92	4.07	14.31	0.70	0.7	0.117
E0240-022-1500-X					1.500	38.10	2.80	71.06	0.92	4.07	15.98	0.70	0.6	0.102
E0240-022-1750-X					1.750	44.45	3.26	82.91	0.92	4.07	18.64	0.70	0.5	0.088
E0240-022-2000-X					2.000	50.80	3.82	96.95	0.92	4.07	21.80	0.70	0.4	0.073
E0240-022-2250-X	0.240	6.10			2.250	57.15	4.52	114.84	0.92	4.07	25.82	0.70	0.3	0.058
E0240-022-2500-X					2.500	63.50	5.11	129.78	0.92	4.07	29.18	0.70	0.3	0.051
E0240-022-2750-X					2.750	69.85	5.78	146.77	0.92	4.07	33.00	0.70	0.2	0.044
E0240-026-0500-X					0.500	12.70	0.55	14.05	1.53	6.79	3.16	1.11	24.1	4.216
E0240-026-0620-X					0.620	15.75	0.78	19.76	1.53	6.79	4.44	1.11	8.1	1.415
E0240-026-0750-X					0.750	19.05	1.02	26.00	1.53	6.79	5.85	1.11	4.7	0.817
E0240-026-0880-X					0.880	22.35	1.26	32.08	1.53	6.79	7.21	1.11	3.3	0.583
E0240-026-1000-X					1.000	25.40	1.51	38.38	1.53	6.79	8.63	1.11	2.5	0.438
E0240-026-1120-X					1.120	28.45	1.73	44.02	1.53	6.79	9.90	1.11	2.1	0.365
E0240-026-1250-X					1.250	31.75	1.98	50.29	1.53	6.79	11.31	1.11	1.7	0.306
E0240-026-1370-X					1.370	34.80	2.22	56.42	1.53	6.79	12.69	1.11	1.5	0.263
E0240-026-1500-X			0.026	0.66	1.500	38.10	2.46	62.43	1.53	6.79	14.04	1.11	1.3	0.233
E0240-026-1750-X					1.750	44.45	2.93	74.39	1.53	6.79	16.73	1.11	1.1	0.190
E0240-026-2000-X					2.000	50.80	3.39	86.19	1.53	6.79	19.38	1.11	0.9	0.160
E0240-026-2250-X					2.250	57.15	3.78	96.08	1.53	6.79	21.60	1.11	0.8	0.146
E0240-026-2500-X					2.500	63.50	4.42	112.16	1.53	6.79	25.22	1.11	0.7	0.117
E0240-026-2750-X					2.750	69.85	4.67	118.51	1.53	6.79	26.64	1.11	0.7	0.117
E0240-026-3000-X					3.000	76.20	5.19	131.81	1.53	6.79	29.63	1.11	0.6	0.102
E0240-026-3500-X					3.500	88.90	6.05	153.78	1.53	6.79	34.57	1.11	0.5	0.088
E0240-026-4000-X					4.000	101.60	7.07	179.45	1.53	6.79	40.34	1.11	0.4	0.073



**SPEC**

TO ORDER: [WWW.ASRAYMOND.COM](http://WWW.ASRAYMOND.COM) OR SEE PHONE & FAX NUMBERS ON BACK COVER

**316 STAINLESS STEEL EXTENSION SPRINGS**

Catalog Number	Outside Diameter (OD)		Wire Diameter (d)		Free Length (L) Approx.		Ext. (L1)		Load P at L1		Initial Tension T (Ref. Only)		Spring Rate (R)	
	in	mm	in	mm	in	mm	in	mm	lb	N	lb	N	lb/in	N/mm
E0240-026-4500-X			0.026	0.66	4.500	114.30	8.33	211.62	1.53	6.79	47.58	1.11	0.3	0.058
E0240-026-5000-X					5.000	127.00	8.83	224.32	1.53	6.79	50.43	1.11	0.3	0.058
E0240-029-0620-X					0.620	15.75	0.75	19.08	2.13	9.49	4.29	1.48	13.7	2.407
E0240-029-0750-X					0.750	19.05	0.97	24.65	2.13	9.49	5.54	1.48	8.2	1.430
E0240-029-0880-X					0.880	22.35	1.19	30.19	2.13	9.49	6.79	1.48	5.8	1.021
E0240-029-1000-X					1.000	25.40	1.39	35.38	2.13	9.49	7.95	1.48	4.6	0.802
E0240-029-1120-X					1.120	28.45	1.60	40.65	2.13	9.49	9.14	1.48	3.7	0.656
E0240-029-1250-X					1.250	31.75	1.82	46.20	2.13	9.49	10.39	1.48	3.2	0.554
E0240-029-1370-X					1.370	34.80	2.02	51.43	2.13	9.49	11.56	1.48	2.7	0.481
E0240-029-1500-X					1.500	38.10	2.25	57.03	2.13	9.49	12.82	1.48	2.4	0.423
E0240-029-1750-X			0.029	0.74	1.750	44.45	2.65	67.32	2.13	9.49	15.14	1.48	2.0	0.350
E0240-029-2000-X					2.000	50.80	3.08	78.25	2.13	9.49	17.59	1.48	1.7	0.292
E0240-029-2250-X					2.250	57.15	3.52	89.44	2.13	9.49	20.11	1.48	1.4	0.248
E0240-029-2500-X					2.500	63.50	3.94	100.10	2.13	9.49	22.50	1.48	1.2	0.219
E0240-029-2750-X					2.750	69.85	4.29	109.06	2.13	9.49	24.52	1.48	1.2	0.204
E0240-029-3000-X					3.000	76.20	4.80	121.95	2.13	9.49	27.42	1.48	1.0	0.175
E0240-029-3500-X					3.500	88.90	5.66	143.80	2.13	9.49	32.33	1.48	0.8	0.146
E0240-029-4000-X					4.000	101.60	6.40	162.60	2.13	9.49	36.55	1.48	0.7	0.131
E0240-029-4500-X					4.500	114.30	7.20	182.92	2.13	9.49	41.12	1.48	0.7	0.117
E0240-029-5000-X					5.000	127.00	8.09	205.42	2.13	9.49	46.18	1.48	0.6	0.102
E0240-031-0620-X					0.620	15.75	0.74	18.70	2.62	11.67	4.20	1.85	19.0	3.326
E0240-031-0750-X					0.750	19.05	0.94	23.93	2.62	11.67	5.38	1.85	11.5	2.013
E0240-031-0880-X	0.240	6.10			0.880	22.35	1.15	29.15	2.62	11.67	6.55	1.85	8.2	1.444
E0240-031-1000-X					1.000	25.40	1.35	34.37	2.62	11.67	7.73	1.85	6.2	1.094
E0240-031-1120-X					1.120	28.45	1.53	38.80	2.62	11.67	8.72	1.85	5.4	0.948
E0240-031-1250-X					1.250	31.75	1.75	44.45	2.62	11.67	9.99	1.85	4.4	0.773
E0240-031-1370-X					1.370	34.80	1.92	48.82	2.62	11.67	10.98	1.85	4.0	0.700
E0240-031-1500-X					1.500	38.10	2.13	54.12	2.62	11.67	12.17	1.85	3.5	0.613
E0240-031-1750-X			0.031	0.79	1.750	44.45	2.53	64.24	2.62	11.67	14.44	1.85	2.8	0.496
E0240-031-2000-X					2.000	50.80	2.91	74.01	2.62	11.67	16.64	1.85	2.4	0.423
E0240-031-2250-X					2.250	57.15	3.31	84.07	2.62	11.67	18.90	1.85	2.1	0.365
E0240-031-2500-X					2.500	63.50	3.70	94.09	2.62	11.67	21.15	1.85	1.8	0.321
E0240-031-2750-X					2.750	69.85	4.14	105.27	2.62	11.67	23.67	1.85	1.6	0.277
E0240-031-3000-X					3.000	76.20	4.56	115.79	2.62	11.67	26.03	1.85	1.4	0.248
E0240-031-3500-X					3.500	88.90	5.27	133.77	2.62	11.67	30.07	1.85	1.2	0.219
E0240-031-4000-X					4.000	101.60	6.04	153.37	2.62	11.67	34.48	1.85	1.1	0.190
E0240-031-4500-X					4.500	114.30	6.91	175.48	2.62	11.67	39.45	1.85	0.9	0.160
E0240-031-5000-X					5.000	127.00	7.65	194.30	2.62	11.67	43.68	1.85	0.8	0.146
E0240-034-0620-X					0.620	15.75	0.72	18.24	3.49	15.51	4.10	2.41	30.0	5.251
E0240-034-0750-X					0.750	19.05	0.91	23.11	3.49	15.51	5.20	2.41	18.4	3.224
E0240-034-0880-X					0.880	22.35	1.10	27.97	3.49	15.51	6.29	2.41	13.3	2.334
E0240-034-1000-X			0.034	0.86	1.000	25.40	1.28	32.47	3.49	15.51	7.30	2.41	10.6	1.853
E0240-034-1120-X					1.120	28.45	1.45	36.92	3.49	15.51	8.30	2.41	8.8	1.546
E0240-034-1250-X					1.250	31.75	1.65	41.84	3.49	15.51	9.41	2.41	7.4	1.298
E0240-034-1370-X					1.370	34.80	1.82	46.31	3.49	15.51	10.41	2.41	6.5	1.138



TO ORDER: [WWW.ASRAYMOND.COM](http://WWW.ASRAYMOND.COM) OR SEE PHONE & FAX NUMBERS ON BACK COVER



**316 STAINLESS STEEL EXTENSION SPRINGS**

Catalog Number	Outside Diameter (OD)		Wire Diameter (d)		Free Length (L) Approx.		Ext. (L1)		Load P at L1		Initial Tension T (Ref. Only)		Spring Rate (R)	
	in	mm	in	mm	in	mm	in	mm	lb	N	lb	N	lb/in	N/mm
E0240-034-1500-X					1.500	38.10	2.01	51.12	3.49	15.51	11.49	2.41	5.7	1.007
E0240-034-1750-X					1.750	44.45	2.38	60.49	3.49	15.51	13.60	2.41	4.7	0.817
E0240-034-2000-X					2.000	50.80	2.75	69.91	3.49	15.51	15.72	2.41	3.9	0.686
E0240-034-2250-X					2.250	57.15	3.11	79.06	3.49	15.51	17.77	2.41	3.4	0.598
E0240-034-2500-X					2.500	63.50	3.48	88.45	3.49	15.51	19.89	2.41	3.0	0.525
E0240-034-2750-X			0.034	0.86	2.750	69.85	3.86	97.92	3.49	15.51	22.01	2.41	2.7	0.467
E0240-034-3000-X					3.000	76.20	4.22	107.17	3.49	15.51	24.09	2.41	2.4	0.423
E0240-034-3500-X					3.500	88.90	4.97	126.32	3.49	15.51	28.40	2.41	2.0	0.350
E0240-034-4000-X					4.000	101.60	5.68	144.37	3.49	15.51	32.46	2.41	1.7	0.306
E0240-034-4500-X					4.500	114.30	6.46	164.20	3.49	15.51	36.91	2.41	1.5	0.263
E0240-034-5000-X					5.000	127.00	7.21	183.13	3.49	15.51	41.17	2.41	1.3	0.233
E0240-037-0620-X					0.620	15.75	0.70	17.90	4.53	20.16	4.02	2.96	45.6	7.979
E0240-037-0750-X					0.750	19.05	0.89	22.49	4.53	20.16	5.06	2.96	28.6	5.003
E0240-037-1000-X					1.000	25.40	1.23	31.35	4.53	20.16	7.05	2.96	16.5	2.888
E0240-037-1120-X					1.120	28.45	1.40	35.64	4.53	20.16	8.01	2.96	13.7	2.392
E0240-037-1250-X					1.250	31.75	1.58	40.17	4.53	20.16	9.03	2.96	11.7	2.042
E0240-037-1370-X					1.370	34.80	1.74	44.30	4.53	20.16	9.96	2.96	10.3	1.809
E0240-037-1500-X					1.500	38.10	1.91	48.63	4.53	20.16	10.93	2.96	9.3	1.634
E0240-037-1750-X					1.750	44.45	2.27	57.70	4.53	20.16	12.97	2.96	7.4	1.298
E0240-037-2000-X			0.037	0.94	2.000	50.80	2.61	66.31	4.53	20.16	14.91	2.96	6.3	1.109
E0240-037-2250-X					2.250	57.15	2.96	75.29	4.53	20.16	16.93	2.96	5.4	0.948
E0240-037-2500-X					2.500	63.50	3.30	83.82	4.53	20.16	18.85	2.96	4.8	0.846
E0240-037-2750-X	0.240	6.30			2.750	69.85	3.64	92.52	4.53	20.16	20.80	2.96	4.3	0.759
E0240-037-3000-X					3.000	76.20	3.99	101.28	4.53	20.16	22.77	2.96	3.9	0.686
E0240-037-3250-X					3.250	82.55	4.36	110.62	4.53	20.16	24.87	2.96	3.5	0.613
E0240-037-3500-X					3.500	88.90	4.72	119.92	4.53	20.16	26.96	2.96	3.2	0.554
E0240-037-4000-X					4.000	101.60	5.41	137.32	4.53	20.16	30.87	2.96	2.7	0.481
E0240-037-4500-X					4.500	114.30	6.10	154.95	4.53	20.16	34.84	2.96	2.4	0.423
E0240-037-5000-X					5.000	127.00	6.79	172.34	4.53	20.16	38.75	2.96	2.2	0.379
E0240-041-0750-X					0.750	19.05	0.86	21.84	6.24	27.74	4.91	3.89	48.7	8.534
E0240-041-1000-X					1.000	25.40	1.19	30.13	6.24	27.74	6.77	3.89	28.8	5.047
E0240-041-1120-X					1.120	28.45	1.34	34.11	6.24	27.74	7.67	3.89	24.1	4.216
E0240-041-1250-X					1.250	31.75	1.51	38.42	6.24	27.74	8.64	3.89	20.4	3.574
E0240-041-1370-X					1.370	34.80	1.67	42.40	6.24	27.74	9.53	3.89	17.9	3.136
E0240-041-1500-X					1.500	38.10	1.84	46.70	6.24	27.74	10.50	3.89	15.8	2.772
E0240-041-1750-X					1.750	44.45	2.17	55.00	6.24	27.74	12.36	3.89	12.9	2.261
E0240-041-2000-X			0.041	1.04	2.000	50.80	2.49	63.28	6.24	27.74	14.23	3.89	10.9	1.911
E0240-041-2250-X					2.250	57.15	2.81	71.49	6.24	27.74	16.07	3.89	9.5	1.663
E0240-041-2500-X					2.500	63.50	3.14	79.85	6.24	27.74	17.95	3.89	8.3	1.459
E0240-041-2750-X					2.750	69.85	3.47	88.22	6.24	27.74	19.83	3.89	7.4	1.298
E0240-041-3000-X					3.000	76.20	3.79	96.38	6.24	27.74	21.67	3.89	6.7	1.182
E0240-041-3500-X					3.500	88.90	4.45	112.94	6.24	27.74	25.39	3.89	5.7	0.992
E0240-041-4000-X					4.000	101.60	5.09	129.31	6.24	27.74	29.07	3.89	4.9	0.861
E0240-041-4500-X					4.500	114.30	5.76	146.36	6.24	27.74	32.90	3.89	4.2	0.744
E0240-041-5000-X					5.000	127.00	6.40	162.54	6.24	27.74	36.54	3.89	3.8	0.671



**SPEC**

TO ORDER: [WWW.ASRAYMOND.COM](http://WWW.ASRAYMOND.COM) OR SEE PHONE & FAX NUMBERS ON BACK COVER

**316 STAINLESS STEEL EXTENSION SPRINGS**

Catalog Number	Outside Diameter (OD)		Wire Diameter (d)		Free Length (L) Approx.		Ext. (L1)		Load P at L1		Initial Tension T (Ref. Only)		Spring Rate (R)	
	in	mm	in	mm	in	mm	in	mm	lb	N	lb	N	lb/in	N/mm
E0300-031-1000-X					1.000	25.40	1.44	36.51	2.04	9.06	8.21	1.45	3.9	0.686
E0300-031-1120-X					1.120	28.45	1.68	42.56	2.04	9.06	9.57	1.45	3.1	0.540
E0300-031-1250-X					1.250	31.75	1.94	49.15	2.04	9.06	11.05	1.45	2.5	0.438
E0300-031-1370-X					1.370	34.80	2.16	54.88	2.04	9.06	12.34	1.45	2.2	0.379
E0300-031-1500-X					1.500	38.10	2.43	61.83	2.04	9.06	13.90	1.45	1.8	0.321
E0300-031-1750-X			0.031	0.79	1.750	44.45	2.89	73.45	2.04	9.06	16.51	1.45	1.5	0.263
E0300-031-2000-X					2.000	50.80	3.37	85.60	2.04	9.06	19.25	1.45	1.2	0.219
E0300-031-2250-X					2.250	57.15	3.96	100.65	2.04	9.06	22.63	1.45	1.0	0.175
E0300-031-2500-X					2.500	63.50	4.37	110.96	2.04	9.06	24.95	1.45	0.9	0.160
E0300-031-2750-X					2.750	69.85	4.81	122.05	2.04	9.06	27.44	1.45	0.8	0.146
E0300-031-3000-X					3.000	76.20	5.28	134.20	2.04	9.06	30.17	1.45	0.7	0.131
E0300-037-0750-X					0.750	19.05	0.89	22.60	3.50	15.56	5.08	2.41	21.2	3.705
E0300-037-1000-X					1.000	25.40	1.30	33.04	3.50	15.56	7.43	2.41	9.8	1.721
E0300-037-1120-X					1.120	28.45	1.50	38.04	3.50	15.56	8.55	2.41	7.8	1.371
E0300-037-1250-X					1.250	31.75	1.71	43.46	3.50	15.56	9.77	2.41	6.4	1.123
E0300-037-1370-X					1.370	34.80	1.91	48.46	3.50	15.56	10.89	2.41	5.5	0.963
E0300-037-1500-X			0.037	0.94	1.500	38.10	2.12	53.92	3.50	15.56	12.12	2.41	4.7	0.831
E0300-037-1750-X					1.750	44.45	2.54	64.49	3.50	15.56	14.50	2.41	3.7	0.656
E0300-037-2000-X					2.000	50.80	2.96	75.17	3.50	15.56	16.90	2.41	3.1	0.540
E0300-037-2250-X					2.250	57.15	3.36	85.32	3.50	15.56	19.18	2.41	2.7	0.467
E0300-037-2500-X					2.500	63.50	3.77	95.70	3.50	15.56	21.52	2.41	2.3	0.408
E0300-037-2750-X					2.750	69.85	4.17	105.91	3.50	15.56	23.81	2.41	2.1	0.365
E0300-037-3000-X	0.300	7.62			3.000	76.20	4.61	117.18	3.50	15.56	26.34	2.41	1.8	0.321
E0300-049-1000-X					1.000	25.40	1.17	29.69	8.30	36.90	6.67	5.19	42.2	7.396
E0300-049-1120-X					1.120	28.45	1.33	33.75	8.30	36.90	7.59	5.19	34.2	5.981
E0300-049-1250-X					1.250	31.75	1.50	38.16	8.30	36.90	8.58	5.19	28.2	4.945
E0300-049-1370-X					1.370	34.80	1.66	42.22	8.30	36.90	9.49	5.19	24.4	4.274
E0300-049-1500-X					1.500	38.10	1.84	46.63	8.30	36.90	10.48	5.19	21.2	3.720
E0300-049-1750-X			0.049	1.24	1.750	44.45	2.17	55.11	8.30	36.90	12.39	5.19	17.0	2.976
E0300-049-2000-X					2.000	50.80	2.50	63.59	8.30	36.90	14.30	5.19	14.2	2.480
E0300-049-2250-X					2.250	57.15	2.84	72.04	8.30	36.90	16.20	5.19	12.2	2.130
E0300-049-2500-X					2.500	63.50	3.17	80.48	8.30	36.90	18.09	5.19	10.7	1.867
E0300-049-2750-X					2.750	69.85	3.50	88.92	8.30	36.90	19.99	5.19	9.5	1.663
E0300-049-3000-X					3.000	76.20	3.84	97.51	8.30	36.90	21.92	5.19	8.5	1.488
E0300-055-1000-X					1.000	25.40	1.13	28.73	11.80	52.49	6.46	7.11	77.7	13.610
E0300-055-1120-X					1.120	28.45	1.28	32.54	11.80	52.49	7.32	7.11	63.3	11.086
E0300-055-1250-X					1.250	31.75	1.44	36.66	11.80	52.49	8.24	7.11	52.7	9.234
E0300-055-1370-X					1.370	34.80	1.59	40.47	11.80	52.49	9.10	7.11	45.6	7.994
E0300-055-1500-X					1.500	38.10	1.76	44.59	11.80	52.49	10.03	7.11	39.9	6.987
E0300-055-1750-X			0.055	1.40	1.750	44.45	2.07	52.53	11.80	52.49	11.81	7.11	32.1	5.616
E0300-055-2000-X					2.000	50.80	2.38	60.46	11.80	52.49	13.59	7.11	26.8	4.697
E0300-055-2250-X					2.250	57.15	2.69	68.38	11.80	52.49	15.37	7.11	23.1	4.041
E0300-055-2500-X					2.500	63.50	3.00	76.30	11.80	52.49	17.15	7.11	20.2	3.545
E0300-055-2750-X					2.750	69.85	3.32	84.25	11.80	52.49	18.94	7.11	18.0	3.151
E0300-055-3000-X					3.000	76.20	3.63	92.15	11.80	52.49	20.72	7.11	16.2	2.845



TO ORDER: [WWW.ASRAYMOND.COM](http://WWW.ASRAYMOND.COM) OR SEE PHONE & FAX NUMBERS ON BACK COVER



**316 STAINLESS STEEL EXTENSION SPRINGS**

Catalog Number	Outside Diameter (OD)		Wire Diameter (d)		Free Length (L) Approx.		Ext. (L1)		Load P at L1		Initial Tension T (Ref. Only)		Spring Rate (R)	
	in	mm	in	mm	in	mm	in	mm	lb	N	lb	N	lb/in	N/mm
E0360-026-1000-X					1.000	25.40	1.65	41.89	0.98	4.35	9.42	0.74	1.2	0.219
E0360-026-1120-X					1.120	28.45	2.01	50.94	0.98	4.35	11.45	0.74	0.9	0.160
E0360-026-1250-X			0.026	0.66	1.250	31.75	2.47	62.68	0.98	4.35	14.09	0.74	0.7	0.117
E0360-026-1370-X					1.370	34.80	2.76	70.14	0.98	4.35	15.77	0.74	0.6	0.102
E0360-026-1500-X					1.500	38.10	3.12	79.33	0.98	4.35	17.84	0.74	0.5	0.088
E0360-026-1750-X					1.750	44.45	4.19	106.30	0.98	4.35	23.90	0.74	0.3	0.058
E0360-031-0880-X					0.870	22.10	1.14	28.83	1.67	7.41	6.48	1.22	5.2	0.919
E0360-031-1000-X					1.000	25.40	1.52	38.65	1.67	7.41	8.69	1.22	2.7	0.467
E0360-031-1120-X					1.120	28.45	1.82	46.12	1.67	7.41	10.37	1.22	2.0	0.350
E0360-031-1250-X					1.250	31.75	2.13	54.07	1.67	7.41	12.16	1.22	1.6	0.277
E0360-031-1370-X					1.370	34.80	2.41	61.31	1.67	7.41	13.78	1.22	1.3	0.233
E0360-031-1500-X			0.031	0.79	1.500	38.10	2.69	68.40	1.67	7.41	15.38	1.22	1.2	0.204
E0360-031-1750-X					1.750	44.45	3.27	83.01	1.67	7.41	18.66	1.22	0.9	0.160
E0360-031-2000-X					2.000	50.80	3.86	97.93	1.67	7.41	22.02	1.22	0.7	0.131
E0360-031-2250-X					2.250	57.15	4.64	117.74	1.67	7.41	26.47	1.22	0.6	0.102
E0360-031-2500-X					2.500	63.50	5.28	134.19	1.67	7.41	30.17	1.22	0.5	0.088
E0360-031-2750-X					2.750	69.85	5.53	140.54	1.67	7.41	31.60	1.22	0.5	0.088
E0360-031-3000-X					3.000	76.20	6.34	161.03	1.67	7.41	36.20	1.22	0.4	0.073
E0360-034-1000-X					1.000	25.40	1.38	35.10	2.20	9.80	7.89	1.59	4.8	0.846
E0360-034-1120-X					1.120	28.45	1.65	41.84	2.20	9.80	9.41	1.59	3.5	0.613
E0360-034-1250-X					1.250	31.75	1.92	48.80	2.20	9.80	10.97	1.59	2.7	0.481
E0360-034-1370-X					1.370	34.80	2.19	55.63	2.20	9.80	12.51	1.59	2.2	0.394
E0360-034-1500-X	0.360	9.14			1.500	38.10	2.46	62.56	2.20	9.80	14.06	1.59	1.9	0.336
E0360-034-1750-X					1.750	44.45	2.98	75.71	2.20	9.80	17.02	1.59	1.5	0.263
E0360-034-2000-X			0.034	0.86	2.000	50.80	3.58	90.99	2.20	9.80	20.46	1.59	1.2	0.204
E0360-034-2250-X					2.250	57.15	4.10	104.03	2.20	9.80	23.39	1.59	1.0	0.175
E0360-034-2500-X					2.500	63.50	4.71	119.76	2.20	9.80	26.92	1.59	0.8	0.146
E0360-034-2750-X					2.750	69.85	5.21	132.36	2.20	9.80	29.76	1.59	0.7	0.131
E0360-034-3000-X					3.000	76.20	5.77	146.52	2.20	9.80	32.94	1.59	0.7	0.117
E0360-034-3500-X					3.500	88.90	6.66	169.27	2.20	9.80	38.06	1.59	0.6	0.102
E0360-034-4000-X					4.000	101.60	7.69	195.37	2.20	9.80	43.92	1.59	0.5	0.088
E0360-034-4500-X					4.500	114.30	8.93	226.82	2.20	9.80	50.99	1.59	0.4	0.073
E0360-034-5000-X					5.000	127.00	10.54	267.65	2.20	9.80	60.17	1.59	0.3	0.058
E0360-037-0750-X					0.750	19.05	0.83	21.15	2.85	12.67	4.76	1.85	29.4	5.149
E0360-037-1000-X					1.000	25.40	1.37	34.79	2.85	12.67	7.82	1.85	6.6	1.152
E0360-037-1120-X					1.120	28.45	1.61	41.02	2.85	12.67	9.22	1.85	4.9	0.861
E0360-037-1250-X					1.250	31.75	1.87	47.53	2.85	12.67	10.69	1.85	3.9	0.686
E0360-037-1370-X					1.370	34.80	2.10	53.34	2.85	12.67	11.99	1.85	3.3	0.583
E0360-037-1500-X			0.037	0.94	1.500	38.10	2.36	59.91	2.85	12.67	13.47	1.85	2.8	0.496
E0360-037-1750-X					1.750	44.45	2.87	72.97	2.85	12.67	16.41	1.85	2.2	0.379
E0360-037-2000-X					2.000	50.80	3.33	84.51	2.85	12.67	19.00	1.85	1.8	0.321
E0360-037-2250-X					2.250	57.15	3.87	98.35	2.85	12.67	22.11	1.85	1.5	0.263
E0360-037-2500-X					2.500	63.50	4.32	109.85	2.85	12.67	24.70	1.85	1.3	0.233
E0360-037-2750-X					2.750	69.85	4.84	122.82	2.85	12.67	27.61	1.85	1.2	0.204
E0360-037-3000-X					3.000	76.20	5.25	133.24	2.85	12.67	29.96	1.85	1.1	0.190



### 316 STAINLESS STEEL EXTENSION SPRINGS

Catalog Number	Outside Diameter (OD)		Wire Diameter (d)		Free Length (L) Approx.		Ext. (L1)		Load P at L1		Initial Tension T (Ref. Only)		Spring Rate (R)	
	in	mm	in	mm	in	mm	in	mm	lb	N	lb	N	lb/in	N/mm
E0360-037-3500-X					3.500	88.90	6.42	163.06	2.85	12.67	36.66	1.85	0.8	0.146
E0360-037-4000-X			0.037	0.94	4.000	101.60	7.24	184.00	2.85	12.67	41.37	1.85	0.7	0.131
E0360-037-4500-X					4.500	114.30	8.15	207.00	2.85	12.67	46.54	1.85	0.7	0.117
E0360-037-5000-X					5.000	127.00	9.17	232.94	2.85	12.67	52.37	1.85	0.6	0.102
E0360-039-1000-X					1.000	25.40	1.29	32.87	3.34	14.86	7.39	2.33	9.6	1.678
E0360-039-1120-X					1.120	28.45	1.52	38.55	3.34	14.86	8.67	2.33	7.1	1.240
E0360-039-1250-X					1.250	31.75	1.76	44.76	3.34	14.86	10.06	2.33	5.5	0.963
E0360-039-1370-X					1.370	34.80	1.98	50.41	3.34	14.86	11.33	2.33	4.6	0.802
E0360-039-1500-X					1.500	38.10	2.22	56.37	3.34	14.86	12.67	2.33	3.9	0.686
E0360-039-1750-X			0.039	0.99	1.750	44.45	2.69	68.30	3.34	14.86	15.36	2.33	3.0	0.525
E0360-039-2000-X					2.000	50.80	3.17	80.41	3.34	14.86	18.08	2.33	2.4	0.423
E0360-039-2250-X					2.250	57.15	3.60	91.50	3.34	14.86	20.57	2.33	2.1	0.365
E0360-039-2500-X					2.500	63.50	4.11	104.39	3.34	14.86	23.47	2.33	1.7	0.306
E0360-039-2750-X					2.750	69.85	4.53	115.04	3.34	14.86	25.86	2.33	1.6	0.277
E0360-039-3000-X					3.000	76.20	4.99	126.71	3.34	14.86	28.49	2.33	1.4	0.248
E0360-041-0750-X					0.750	19.05	0.83	20.96	3.89	17.30	4.71	2.59	43.9	7.688
E0360-041-1000-X					1.000	25.40	1.31	33.22	3.89	17.30	7.47	2.59	10.7	1.882
E0360-041-1120-X					1.120	28.45	1.52	38.63	3.89	17.30	8.69	2.59	8.2	1.444
E0360-041-1250-X					1.250	31.75	1.74	44.20	3.89	17.30	9.94	2.59	6.7	1.182
E0360-041-1370-X					1.370	34.80	1.95	49.62	3.89	17.30	11.16	2.59	5.7	0.992
E0360-041-1500-X					1.500	38.10	2.17	55.19	3.89	17.30	12.41	2.59	4.9	0.861
E0360-041-1750-X					1.750	44.45	2.61	66.37	3.89	17.30	14.92	2.59	3.8	0.671
E0360-041-2000-X	0.360	9.14	0.041	1.04	2.000	50.80	3.04	77.33	3.89	17.30	17.39	2.59	3.2	0.554
E0360-041-2250-X					2.250	57.15	3.49	88.65	3.89	17.30	19.93	2.59	2.7	0.467
E0360-041-2500-X					2.500	63.50	3.97	100.84	3.89	17.30	22.67	2.59	2.2	0.394
E0360-041-2750-X					2.750	69.85	4.40	111.86	3.89	17.30	25.15	2.59	2.0	0.350
E0360-041-3000-X					3.000	76.20	4.80	122.03	3.89	17.30	27.43	2.59	1.8	0.321
E0360-041-3500-X					3.500	88.90	5.71	144.91	3.89	17.30	32.58	2.59	1.5	0.263
E0360-041-4000-X					4.000	101.60	6.65	168.81	3.89	17.30	37.95	2.59	1.2	0.219
E0360-041-4500-X					4.500	114.30	7.55	191.85	3.89	17.30	43.13	2.59	1.1	0.190
E0360-041-5000-X					5.000	127.00	8.31	211.01	3.89	17.30	47.44	2.59	1.0	0.175
E0360-045-0750-X					0.750	19.05	0.82	20.81	5.17	22.98	4.68	3.33	63.7	11.159
E0360-045-1000-X					1.000	25.40	1.24	31.58	5.17	22.98	7.10	3.33	18.2	3.180
E0360-045-1120-X					1.120	28.45	1.44	36.66	5.17	22.98	8.24	3.33	13.7	2.392
E0360-045-1250-X					1.250	31.75	1.64	41.65	5.17	22.98	9.36	3.33	11.3	1.984
E0360-045-1370-X					1.370	34.80	1.84	46.82	5.17	22.98	10.53	3.33	9.3	1.634
E0360-045-1500-X					1.500	38.10	2.05	52.13	5.17	22.98	11.72	3.33	8.0	1.400
E0360-045-1750-X			0.045	1.14	1.750	44.45	2.46	62.41	5.17	22.98	14.03	3.33	6.2	1.094
E0360-045-2000-X					2.000	50.80	2.86	72.52	5.17	22.98	16.30	3.33	5.2	0.904
E0360-045-2250-X					2.250	57.15	3.25	82.56	5.17	22.98	18.56	3.33	4.4	0.773
E0360-045-2500-X					2.500	63.50	3.65	92.78	5.17	22.98	20.86	3.33	3.8	0.671
E0360-045-2750-X					2.750	69.85	4.04	102.70	5.17	22.98	23.09	3.33	3.4	0.598
E0360-045-3000-X					3.000	76.20	4.47	113.61	5.17	22.98	25.54	3.33	3.0	0.525
E0360-045-3500-X					3.500	88.90	5.27	133.79	5.17	22.98	30.08	3.33	2.5	0.438
E0360-045-4000-X					4.000	101.60	6.12	155.47	5.17	22.98	34.95	3.33	2.1	0.365



TO ORDER: [WWW.ASRAYMOND.COM](http://WWW.ASRAYMOND.COM) OR SEE PHONE & FAX NUMBERS ON BACK COVER

**SPEC**



**316 STAINLESS STEEL EXTENSION SPRINGS**

Catalog Number	Outside Diameter (OD)		Wire Diameter (d)		Free Length (L) Approx.		Ext. (L1)		Load P at L1		Initial Tension T (Ref. Only)		Spring Rate (R)	
	in	mm	in	mm	in	mm	in	mm	lb	N	lb	N	lb/in	N/mm
E0360-045-4500-X					4.500	114.30	6.91	175.52	5.17	22.98	39.46	3.33	1.8	0.321
E0360-045-5000-X			0.045	1.14	5.000	127.00	7.79	197.88	5.17	22.98	44.49	3.33	1.6	0.277
E0360-045-5500-X					5.500	139.70	8.62	218.92	5.17	22.98	49.22	3.33	1.4	0.248
E0360-045-6000-X					6.000	152.40	9.31	236.57	5.17	22.98	53.19	3.33	1.3	0.233
E0360-049-1000-X					1.000	25.40	1.19	30.22	6.70	29.78	6.79	4.45	30.0	5.251
E0360-049-1120-X					1.120	28.45	1.37	34.81	6.70	29.78	7.83	4.45	22.7	3.982
E0360-049-1250-X					1.250	31.75	1.57	39.79	6.70	29.78	8.95	4.45	18.0	3.151
E0360-049-1370-X					1.370	34.80	1.75	44.39	6.70	29.78	9.98	4.45	15.1	2.640
E0360-049-1500-X					1.500	38.10	1.94	49.38	6.70	29.78	11.10	4.45	12.8	2.246
E0360-049-1750-X					1.750	44.45	2.32	58.92	6.70	29.78	13.25	4.45	10.0	1.750
E0360-049-2000-X					2.000	50.80	2.70	68.52	6.70	29.78	15.40	4.45	8.2	1.430
E0360-049-2250-X					2.250	57.15	3.07	78.07	6.70	29.78	17.55	4.45	6.9	1.211
E0360-049-2500-X			0.049	1.24	2.500	63.50	3.45	87.62	6.70	29.78	19.70	4.45	6.0	1.050
E0360-049-2750-X					2.750	69.85	3.82	96.99	6.70	29.78	21.80	4.45	5.3	0.934
E0360-049-3000-X					3.000	76.20	4.20	106.67	6.70	29.78	23.98	4.45	4.7	0.831
E0360-049-3500-X					3.500	88.90	4.95	125.85	6.70	29.78	28.29	4.45	3.9	0.686
E0360-049-4000-X					4.000	101.60	5.71	145.02	6.70	29.78	32.60	4.45	3.3	0.583
E0360-049-4500-X					4.500	114.30	6.45	163.92	6.70	29.78	36.85	4.45	2.9	0.511
E0360-049-5000-X					5.000	127.00	7.21	183.02	6.70	29.78	41.15	4.45	2.6	0.452
E0360-049-5500-X					5.500	139.70	7.94	201.72	6.70	29.78	45.35	4.45	2.3	0.408
E0360-049-6000-X					6.000	152.40	8.73	221.87	6.70	29.78	49.88	4.45	2.1	0.365
E0360-055-1000-X					1.000	25.40	1.15	29.27	9.53	42.40	6.58	5.93	53.8	9.423
E0360-055-1120-X	0.360	9.14			1.120	28.45	1.33	33.90	9.53	42.40	7.62	5.93	38.2	6.696
E0360-055-1250-X					1.250	31.75	1.51	38.23	9.53	42.40	8.59	5.93	32.2	5.631
E0360-055-1370-X					1.370	34.80	1.68	42.59	9.53	42.40	9.57	5.93	26.7	4.683
E0360-055-1500-X					1.500	38.10	1.85	46.90	9.53	42.40	10.54	5.93	23.7	4.143
E0360-055-1750-X					1.750	44.45	2.19	55.61	9.53	42.40	12.50	5.93	18.7	3.268
E0360-055-2000-X					2.000	50.80	2.54	64.54	9.53	42.40	14.51	5.93	15.2	2.655
E0360-055-2250-X					2.250	57.15	2.89	73.28	9.53	42.40	16.47	5.93	12.9	2.261
E0360-055-2500-X			0.055	1.40	2.500	63.50	3.22	81.88	9.53	42.40	18.41	5.93	11.3	1.984
E0360-055-2750-X					2.750	69.85	3.57	90.69	9.53	42.40	20.39	5.93	10.0	1.750
E0360-055-3000-X					3.000	76.20	3.91	99.35	9.53	42.40	22.34	5.93	9.0	1.575
E0360-055-3500-X					3.500	88.90	4.59	116.68	9.53	42.40	26.23	5.93	7.5	1.313
E0360-055-4000-X					4.000	101.60	5.28	134.07	9.53	42.40	30.14	5.93	6.4	1.123
E0360-055-4500-X					4.500	114.30	5.97	151.62	9.53	42.40	34.09	5.93	5.6	0.977
E0360-055-5000-X					5.000	127.00	6.70	170.11	9.53	42.40	38.24	5.93	4.8	0.846
E0360-055-5500-X					5.500	139.70	7.39	187.78	9.53	42.40	42.22	5.93	4.3	0.759
E0360-055-6000-X					6.000	152.40	8.09	205.60	9.53	42.40	46.22	5.93	3.9	0.686
E0360-058-1000-X					1.000	25.40	1.14	28.88	11.22	49.92	6.49	7.00	70.4	12.326
E0360-058-1120-X					1.120	28.45	1.30	32.96	11.22	49.92	7.41	7.00	54.3	9.511
E0360-058-1250-X					1.250	31.75	1.47	37.38	11.22	49.92	8.40	7.00	43.6	7.629
E0360-058-1370-X			0.058	1.47	1.370	34.80	1.63	41.45	11.22	49.92	9.32	7.00	36.8	6.448
E0360-058-1500-X					1.500	38.10	1.81	45.88	11.22	49.92	10.32	7.00	31.5	5.514
E0360-058-1750-X					1.750	44.45	2.14	54.36	11.22	49.92	12.22	7.00	24.7	4.332
E0360-058-2000-X					2.000	50.80	2.47	62.86	11.22	49.92	14.13	7.00	20.3	3.559



**316 STAINLESS STEEL EXTENSION SPRINGS**

Catalog Number	Outside Diameter (OD)		Wire Diameter (d)		Free Length (L) Approx.		Ext. (L1)		Load P at L1		Initial Tension T (Ref. Only)		Spring Rate (R)	
	in	mm	in	mm	in	mm	in	mm	lb	N	lb	N	lb/in	N/mm
E0360-058-2250-X					2.250	57.15	2.81	71.36	11.22	49.92	16.04	7.00	17.2	3.020
E0360-058-2500-X					2.500	63.50	3.14	79.84	11.22	49.92	17.95	7.00	15.0	2.626
E0360-058-2750-X					2.750	69.85	3.48	88.35	11.22	49.92	19.86	7.00	13.2	2.319
E0360-058-3000-X					3.000	76.20	3.82	96.92	11.22	49.92	21.79	7.00	11.8	2.071
E0360-058-3500-X	0.360	9.14	0.058	1.47	3.500	88.90	4.48	113.83	11.22	49.92	25.59	7.00	9.8	1.721
E0360-058-4000-X					4.000	101.60	5.15	130.73	11.22	49.92	29.39	7.00	8.4	1.473
E0360-058-4500-X					4.500	114.30	5.83	148.12	11.22	49.92	33.30	7.00	7.2	1.269
E0360-058-5000-X					5.000	127.00	6.49	164.72	11.22	49.92	37.03	7.00	6.5	1.138
E0360-058-5500-X					5.500	139.70	7.15	181.73	11.22	49.92	40.86	7.00	5.8	1.021
E0360-058-6000-X					6.000	152.40	7.81	198.37	11.22	49.92	44.60	7.00	5.3	0.934
E0420-037-1000-X					1.000	25.40	1.27	32.28	2.40	10.68	7.26	1.85	7.3	1.284
E0420-037-1120-X					1.120	28.45	1.55	39.45	2.40	10.68	8.87	1.85	4.6	0.802
E0420-037-1250-X					1.250	31.75	1.86	47.27	2.40	10.68	10.63	1.85	3.2	0.569
E0420-037-1370-X					1.370	34.80	2.14	54.32	2.40	10.68	12.21	1.85	2.6	0.452
E0420-037-1500-X					1.500	38.10	2.45	62.31	2.40	10.68	14.01	1.85	2.1	0.365
E0420-037-1750-X			0.037	0.94	1.750	44.45	3.00	76.30	2.40	10.68	17.15	1.85	1.6	0.277
E0420-037-2000-X					2.000	50.80	3.59	91.14	2.40	10.68	20.49	1.85	1.2	0.219
E0420-037-2250-X					2.250	57.15	4.24	107.58	2.40	10.68	24.19	1.85	1.0	0.175
E0420-037-2500-X					2.500	63.50	4.88	124.01	2.40	10.68	27.88	1.85	0.8	0.146
E0420-037-2750-X					2.750	69.85	5.40	137.09	2.40	10.68	30.82	1.85	0.7	0.131
E0420-037-3000-X					3.000	76.20	5.98	151.84	2.40	10.68	34.14	1.85	0.7	0.117
E0420-045-1000-X					1.000	25.40	1.20	30.47	4.34	19.30	6.85	3.04	18.3	3.209
E0420-045-1120-X					1.120	28.45	1.42	36.19	4.34	19.30	8.14	3.04	12.0	2.101
E0420-045-1250-X					1.250	31.75	1.67	42.37	4.34	19.30	9.52	3.04	8.7	1.532
E0420-045-1370-X					1.370	34.80	1.89	48.07	4.34	19.30	10.81	3.04	7.0	1.225
E0420-045-1500-X					1.500	38.10	2.14	54.26	4.34	19.30	12.20	3.04	5.7	1.007
E0420-045-1750-X	0.420	10.67	0.045	1.14	1.750	44.45	2.61	66.31	4.34	19.30	14.91	3.04	4.2	0.744
E0420-045-2000-X					2.000	50.80	3.07	77.99	4.34	19.30	17.53	3.04	3.4	0.598
E0420-045-2250-X					2.250	57.15	3.54	89.94	4.34	19.30	20.22	3.04	2.8	0.496
E0420-045-2500-X					2.500	63.50	4.01	101.94	4.34	19.30	22.92	3.04	2.4	0.423
E0420-045-2750-X					2.750	69.85	4.51	114.44	4.34	19.30	25.73	3.04	2.1	0.365
E0420-045-3000-X					3.000	76.20	4.91	124.67	4.34	19.30	28.03	3.04	1.9	0.336
E0420-055-1000-X					1.000	25.40	1.14	29.06	7.97	35.43	6.53	5.19	47.1	8.256
E0420-055-1120-X					1.120	28.45	1.33	33.79	7.97	35.43	7.60	5.19	32.3	5.660
E0420-055-1250-X					1.250	31.75	1.53	38.90	7.97	35.43	8.75	5.19	24.2	4.230
E0420-055-1370-X					1.370	34.80	1.72	43.62	7.97	35.43	9.81	5.19	19.6	3.428
E0420-055-1500-X					1.500	38.10	1.92	48.73	7.97	35.43	10.96	5.19	16.2	2.845
E0420-055-1750-X			0.055	1.40	1.750	44.45	2.31	58.55	7.97	35.43	13.16	5.19	12.2	2.144
E0420-055-2000-X					2.000	50.80	2.69	68.37	7.97	35.43	15.37	5.19	9.8	1.721
E0420-055-2250-X					2.250	57.15	3.08	78.31	7.97	35.43	17.60	5.19	8.2	1.430
E0420-055-2500-X					2.500	63.50	3.47	88.18	7.97	35.43	19.82	5.19	7.0	1.225
E0420-055-2750-X					2.750	69.85	3.85	97.87	7.97	35.43	22.00	5.19	6.2	1.079
E0420-055-3000-X					3.000	76.20	4.24	107.61	7.97	35.43	24.19	5.19	5.5	0.963
E0500-034-1250-X	0.500	12.70	0.034	0.86	1.250	31.75	1.89	48.04	1.54	6.85	10.80	1.15	2.0	0.350
E0500-034-1370-X					1.370	34.80	2.28	57.79	1.54	6.85	12.99	1.15	1.4	0.248



TO ORDER: [WWW.ASRAYMOND.COM](http://WWW.ASRAYMOND.COM) OR SEE PHONE & FAX NUMBERS ON BACK COVER



**316 STAINLESS STEEL EXTENSION SPRINGS**

Catalog Number	Outside Diameter (OD)		Wire Diameter (d)		Free Length (L) Approx.		Ext. (L1)		Load P at L1		Initial Tension T (Ref. Only)		Spring Rate (R)	
	in	mm	in	mm	in	mm	in	mm	lb	N	lb	N	lb/in	N/mm
E0500-034-1500-X					1.500	38.10	2.68	68.17	1.54	6.85	15.32	1.15	1.1	0.190
E0500-034-1750-X			0.034	0.86	1.750	44.45	3.67	93.31	1.54	6.85	20.98	1.15	0.7	0.117
E0500-034-2000-X					2.000	50.80	4.56	115.94	1.54	6.85	26.07	1.15	0.5	0.088
E0500-034-2250-X					2.250	57.15	5.33	135.32	1.54	6.85	30.42	1.15	0.4	0.073
E0500-037-1250-X					1.250	31.75	1.96	49.76	1.99	8.84	11.19	1.48	2.3	0.408
E0500-037-1370-X					1.370	34.80	2.32	58.82	1.99	8.84	13.22	1.48	1.7	0.306
E0500-037-1500-X					1.500	38.10	2.67	67.77	1.99	8.84	15.24	1.48	1.4	0.248
E0500-037-1750-X					1.750	44.45	3.40	86.48	1.99	8.84	19.44	1.48	1.0	0.175
E0500-037-2000-X					2.000	50.80	3.99	101.24	1.99	8.84	22.76	1.48	0.8	0.146
E0500-037-2250-X					2.250	57.15	4.73	120.20	1.99	8.84	27.02	1.48	0.7	0.117
E0500-037-2500-X			0.037	0.94	2.500	63.50	5.34	135.56	1.99	8.84	30.48	1.48	0.6	0.102
E0500-037-2750-X					2.750	69.85	6.06	153.92	1.99	8.84	34.60	1.48	0.5	0.088
E0500-037-3000-X					3.000	76.20	6.97	177.08	1.99	8.84	39.81	1.48	0.4	0.073
E0500-037-3500-X					3.500	88.90	8.46	215.00	1.99	8.84	48.34	1.48	0.3	0.058
E0500-037-4000-X					4.000	101.60	10.62	269.73	1.99	8.84	60.64	1.48	0.2	0.044
E0500-037-4500-X					4.500	114.30	11.12	282.43	1.99	8.84	63.50	1.48	0.2	0.044
E0500-037-5000-X					5.000	127.00	13.27	337.08	1.99	8.84	75.78	1.48	0.2	0.035
E0500-041-1250-X					1.250	31.75	1.82	46.29	2.70	12.03	10.41	1.85	4.0	0.700
E0500-041-1370-X					1.370	34.80	2.13	54.18	2.70	12.03	12.18	1.85	3.0	0.525
E0500-041-1500-X					1.500	38.10	2.45	62.16	2.70	12.03	13.97	1.85	2.4	0.423
E0500-041-1750-X					1.750	44.45	3.12	79.33	2.70	12.03	17.84	1.85	1.7	0.292
E0500-041-2000-X					2.000	50.80	3.83	97.31	2.70	12.03	21.88	1.85	1.2	0.219
E0500-041-2250-X	0.500	12.70			2.250	57.15	4.36	110.82	2.70	12.03	24.91	1.85	1.1	0.190
E0500-041-2500-X			0.041	1.04	2.500	63.50	5.00	126.93	2.70	12.03	28.54	1.85	0.9	0.160
E0500-041-2750-X					2.750	69.85	5.50	139.62	2.70	12.03	31.39	1.85	0.8	0.146
E0500-041-3000-X					3.000	76.20	6.43	163.41	2.70	12.03	36.74	1.85	0.7	0.117
E0500-041-3500-X					3.500	88.90	7.42	188.57	2.70	12.03	42.39	1.85	0.6	0.102
E0500-041-4000-X					4.000	101.60	8.58	217.88	2.70	12.03	48.98	1.85	0.5	0.088
E0500-041-4500-X					4.500	114.30	9.99	253.84	2.70	12.03	57.07	1.85	0.4	0.073
E0500-041-5000-X					5.000	127.00	11.87	301.42	2.70	12.03	67.77	1.85	0.3	0.058
E0500-045-1250-X					1.250	31.75	1.64	41.57	3.58	15.91	9.34	2.59	7.7	1.357
E0500-045-1370-X					1.370	34.80	2.01	51.10	3.58	15.91	11.49	2.59	4.7	0.817
E0500-045-1500-X					1.500	38.10	2.28	57.95	3.58	15.91	13.03	2.59	3.8	0.671
E0500-045-1750-X					1.750	44.45	2.84	72.11	3.58	15.91	16.21	2.59	2.7	0.481
E0500-045-2000-X					2.000	50.80	3.38	85.91	3.58	15.91	19.31	2.59	2.2	0.379
E0500-045-2250-X					2.250	57.15	3.96	100.62	3.58	15.91	22.62	2.59	1.7	0.306
E0500-045-2500-X			0.045	1.14	2.500	63.50	4.50	114.22	3.58	15.91	25.68	2.59	1.5	0.263
E0500-045-2750-X					2.750	69.85	5.00	126.90	3.58	15.91	28.53	2.59	1.3	0.233
E0500-045-3000-X					3.000	76.20	5.57	141.41	3.58	15.91	31.79	2.59	1.2	0.204
E0500-045-3500-X					3.500	88.90	6.77	171.89	3.58	15.91	38.64	2.59	0.9	0.160
E0500-045-4000-X					4.000	101.60	7.99	203.03	3.58	15.91	45.65	2.59	0.7	0.131
E0500-045-4500-X					4.500	114.30	8.99	228.41	3.58	15.91	51.35	2.59	0.7	0.117
E0500-045-5000-X					5.000	127.00	10.13	257.41	3.58	15.91	57.87	2.59	0.6	0.102
E0500-049-1250-X			0.049	1.24	1.250	31.75	1.58	40.22	4.62	20.55	9.04	3.26	11.7	2.042
E0500-049-1370-X					1.370	34.80	1.83	46.53	4.62	20.55	10.46	3.26	8.4	1.473



### 316 STAINLESS STEEL EXTENSION SPRINGS

Catalog Number	Outside Diameter (OD)		Wire Diameter (d)		Free Length (L) Approx.		Ext. (L1)		Load P at L1		Initial Tension T (Ref. Only)		Spring Rate (R)	
	in	mm	in	mm	in	mm	in	mm	lb	N	lb	N	lb/in	N/mm
E0500-049-1500-X					1.500	38.10	2.10	53.30	4.62	20.55	11.98	3.26	6.5	1.138
E0500-049-1750-X					1.750	44.45	2.61	66.40	4.62	20.55	14.93	3.26	4.5	0.788
E0500-049-2000-X					2.000	50.80	3.11	79.02	4.62	20.55	17.77	3.26	3.5	0.613
E0500-049-2250-X					2.250	57.15	3.62	92.01	4.62	20.55	20.69	3.26	2.8	0.496
E0500-049-2500-X					2.500	63.50	4.17	105.83	4.62	20.55	23.79	3.26	2.3	0.408
E0500-049-2750-X			0.049	1.24	2.750	69.85	4.69	119.23	4.62	20.55	26.81	3.26	2.0	0.350
E0500-049-3000-X					3.000	76.20	5.22	132.64	4.62	20.55	29.82	3.26	1.7	0.306
E0500-049-3500-X					3.500	88.90	6.24	158.62	4.62	20.55	35.66	3.26	1.4	0.248
E0500-049-4000-X					4.000	101.60	7.33	186.26	4.62	20.55	41.87	3.26	1.2	0.204
E0500-049-4500-X					4.500	114.30	8.39	213.07	4.62	20.55	47.90	3.26	1.0	0.175
E0500-049-5000-X					5.000	127.00	9.24	234.75	4.62	20.55	52.78	3.26	0.9	0.160
E0500-055-1250-X					1.250	31.75	1.52	38.67	6.53	29.06	8.69	4.45	20.3	3.559
E0500-055-1370-X					1.370	34.80	1.80	45.61	6.53	29.06	10.26	4.45	13.0	2.276
E0500-055-1500-X					1.500	38.10	2.01	51.08	6.53	29.06	11.48	4.45	10.8	1.896
E0500-055-1750-X					1.750	44.45	2.49	63.20	6.53	29.06	14.21	4.45	7.5	1.313
E0500-055-2000-X					2.000	50.80	2.90	73.60	6.53	29.06	16.55	4.45	6.2	1.079
E0500-055-2250-X					2.250	57.15	3.34	84.81	6.53	29.06	19.07	4.45	5.1	0.890
E0500-055-2500-X			0.055	1.40	2.500	63.50	3.80	96.59	6.53	29.06	21.71	4.45	4.2	0.744
E0500-055-2750-X					2.750	69.85	4.26	108.20	6.53	29.06	24.33	4.45	3.7	0.642
E0500-055-3000-X					3.000	76.20	4.70	119.47	6.53	29.06	26.86	4.45	3.2	0.569
E0500-055-3500-X					3.500	88.90	5.58	141.63	6.53	29.06	31.84	4.45	2.7	0.467
E0500-055-4000-X					4.000	101.60	6.46	164.09	6.53	29.06	36.89	4.45	2.2	0.394
E0500-055-4500-X	0.500	12.70			4.500	114.30	7.39	187.66	6.53	29.06	42.19	4.45	1.9	0.336
E0500-055-5000-X					5.000	127.00	8.32	211.37	6.53	29.06	47.52	4.45	1.7	0.292
E0500-063-1250-X					1.250	31.75	1.47	37.22	9.83	43.72	8.37	6.30	39.1	6.841
E0500-063-1370-X					1.370	34.80	1.69	43.02	9.83	43.72	9.67	6.30	26.0	4.551
E0500-063-1500-X					1.500	38.10	1.90	48.16	9.83	43.72	10.83	6.30	21.2	3.720
E0500-063-1750-X					1.750	44.45	2.29	58.17	9.83	43.72	13.08	6.30	15.6	2.728
E0500-063-2000-X					2.000	50.80	2.68	68.13	9.83	43.72	15.32	6.30	12.3	2.159
E0500-063-2250-X					2.250	57.15	3.08	78.18	9.83	43.72	17.58	6.30	10.2	1.780
E0500-063-2500-X			0.063	1.60	2.500	63.50	3.47	88.17	9.83	43.72	19.82	6.30	8.7	1.517
E0500-063-2750-X					2.750	69.85	3.85	97.73	9.83	43.72	21.97	6.30	7.7	1.342
E0500-063-3000-X					3.000	76.20	4.25	107.87	9.83	43.72	24.25	6.30	6.7	1.182
E0500-063-3500-X					3.500	88.90	5.03	127.77	9.83	43.72	28.72	6.30	5.5	0.963
E0500-063-4000-X					4.000	101.60	5.84	148.24	9.83	43.72	33.33	6.30	4.6	0.802
E0500-063-4500-X					4.500	114.30	6.60	167.74	9.83	43.72	37.71	6.30	4.0	0.700
E0500-063-5000-X					5.000	127.00	7.40	188.08	9.83	43.72	42.28	6.30	3.5	0.613
E0500-069-1250-X					1.250	31.75	1.43	36.33	12.93	57.50	8.17	8.08	61.6	10.795
E0500-069-1370-X					1.370	34.80	1.62	41.04	12.93	57.50	9.23	8.08	45.2	7.921
E0500-069-1500-X					1.500	38.10	1.80	45.60	12.93	57.50	10.25	8.08	37.7	6.593
E0500-069-1750-X			0.069	1.75	1.750	44.45	2.18	55.27	12.93	57.50	12.43	8.08	26.1	4.566
E0500-069-2000-X					2.000	50.80	2.54	64.52	12.93	57.50	14.50	8.08	20.6	3.603
E0500-069-2250-X					2.250	57.15	2.91	73.84	12.93	57.50	16.60	8.08	16.9	2.961
E0500-069-2500-X					2.500	63.50	3.27	83.08	12.93	57.50	18.68	8.08	14.4	2.524
E0500-069-2750-X					2.750	69.85	3.65	92.74	12.93	57.50	20.85	8.08	12.3	2.159



TO ORDER: [WWW.ASRAYMOND.COM](http://WWW.ASRAYMOND.COM) OR SEE PHONE & FAX NUMBERS ON BACK COVER

**SPEC**



**316 STAINLESS STEEL EXTENSION SPRINGS**

Catalog Number	Outside Diameter (OD)		Wire Diameter (d)		Free Length (L) Approx.		Ext. (L1)		Load P at L1		Initial Tension T (Ref. Only)		Spring Rate (R)	
	in	mm	in	mm	in	mm	in	mm	lb	N	lb	N	lb/in	N/mm
E0500-069-3000-X					3.000	76.20	4.02	102.06	12.93	57.50	22.95	8.08	10.9	1.911
E0500-069-3500-X					3.500	88.90	4.75	120.56	12.93	57.50	27.11	8.08	8.9	1.561
E0500-069-4000-X			0.069	1.75	4.000	101.60	5.50	139.67	12.93	57.50	31.40	8.08	7.4	1.298
E0500-069-4500-X					4.500	114.30	6.21	157.74	12.93	57.50	35.46	8.08	6.5	1.138
E0500-069-5000-X					5.000	127.00	6.96	176.82	12.93	57.50	39.75	8.08	5.7	0.992
E0500-075-1250-X					1.250	31.75	1.41	35.80	16.60	73.83	8.05	10.19	89.7	15.711
E0500-075-1370-X					1.370	34.80	1.57	39.95	16.60	73.83	8.98	10.19	70.5	12.341
E0500-075-1500-X					1.500	38.10	1.75	44.36	16.60	73.83	9.97	10.19	58.1	10.167
E0500-075-1750-X					1.750	44.45	2.10	53.28	16.60	73.83	11.98	10.19	41.2	7.206
E0500-075-2000-X					2.000	50.80	2.45	62.22	16.60	73.83	13.99	10.19	31.8	5.572
E0500-075-2250-X					2.250	57.15	2.79	70.78	16.60	73.83	15.91	10.19	26.7	4.668
E0500-075-2500-X			0.075	1.91	2.500	63.50	3.14	79.72	16.60	73.83	17.92	10.19	22.4	3.924
E0500-075-2750-X					2.750	69.85	3.49	88.65	16.60	73.83	19.93	10.19	19.3	3.384
E0500-075-3000-X					3.000	76.20	3.83	97.17	16.60	73.83	21.85	10.19	17.3	3.034
E0500-075-3500-X					3.500	88.90	4.53	115.02	16.60	73.83	25.86	10.19	13.9	2.436
E0500-075-4000-X					4.000	101.60	5.22	132.54	16.60	73.83	29.80	10.19	11.7	2.057
E0500-075-4500-X					4.500	114.30	5.91	150.06	16.60	73.83	33.74	10.19	10.2	1.780
E0500-075-5000-X					5.000	127.00	6.61	167.77	16.60	73.83	37.72	10.19	8.9	1.561
E0650-055-1500-X					1.500	38.10	1.87	47.51	4.89	21.73	10.68	3.33	11.2	1.955
E0650-055-1750-X					1.750	44.45	2.48	62.99	4.89	21.73	14.16	3.33	5.7	0.992
E0650-055-2000-X					2.000	50.80	3.21	81.56	4.89	21.73	18.34	3.33	3.4	0.598
E0650-055-2250-X					2.250	57.15	3.80	96.56	4.89	21.73	21.71	3.33	2.7	0.467
E0650-055-2500-X			0.055	1.40	2.500	63.50	4.41	112.00	4.89	21.73	25.18	3.33	2.2	0.379
E0650-055-2750-X					2.750	69.85	5.01	127.17	4.89	21.73	28.59	3.33	1.8	0.321
E0650-055-3000-X					3.000	76.20	5.61	142.57	4.89	21.73	32.05	3.33	1.6	0.277
E0650-055-3500-X					3.500	88.90	6.81	172.97	4.89	21.73	38.89	3.33	1.2	0.219
E0650-055-4000-X					4.000	101.60	8.14	206.69	4.89	21.73	46.47	3.33	1.0	0.175
E0650-063-1500-X					1.500	38.10	1.80	45.66	7.32	32.54	10.27	5.19	20.7	3.618
E0650-063-1750-X					1.750	44.45	2.31	58.66	7.32	32.54	13.19	5.19	11.0	1.926
E0650-063-2000-X					2.000	50.80	2.89	73.39	7.32	32.54	16.50	5.19	6.9	1.211
E0650-063-2250-X					2.250	57.15	3.40	86.45	7.32	32.54	19.44	5.19	5.3	0.934
E0650-063-2500-X	0.650	16.51			2.500	63.50	3.89	98.88	7.32	32.54	22.23	5.19	4.4	0.773
E0650-063-2750-X			0.063	1.60	2.750	69.85	4.43	112.47	7.32	32.54	25.28	5.19	3.7	0.642
E0650-063-3000-X					3.000	76.20	4.94	125.54	7.32	32.54	28.22	5.19	3.2	0.554
E0650-063-3500-X					3.500	88.90	5.96	151.40	7.32	32.54	34.04	5.19	2.5	0.438
E0650-063-4000-X					4.000	101.60	6.95	176.60	7.32	32.54	39.70	5.19	2.1	0.365
E0650-063-4500-X					4.500	114.30	8.02	203.59	7.32	32.54	45.77	5.19	1.7	0.306
E0650-063-5000-X					5.000	127.00	8.89	225.69	7.32	32.54	50.74	5.19	1.6	0.277
E0650-069-1750-X					1.750	44.45	2.21	56.25	9.59	42.66	12.65	7.04	17.2	3.020
E0650-069-2000-X					2.000	50.80	2.68	68.00	9.59	42.66	15.29	7.04	11.8	2.071
E0650-069-2250-X					2.250	57.15	3.13	79.55	9.59	42.66	17.88	7.04	9.1	1.590
E0650-069-2500-X			0.069	1.75	2.500	63.50	3.59	91.25	9.59	42.66	20.51	7.04	7.3	1.284
E0650-069-2750-X					2.750	69.85	4.05	102.85	9.59	42.66	23.12	7.04	6.2	1.079
E0650-069-3000-X					3.000	76.20	4.50	114.35	9.59	42.66	25.71	7.04	5.3	0.934
E0650-069-3500-X					3.500	88.90	5.42	137.74	9.59	42.66	30.97	7.04	4.2	0.729



**SPEC**

TO ORDER: [WWW.ASRAYMOND.COM](http://WWW.ASRAYMOND.COM) OR SEE PHONE & FAX NUMBERS ON BACK COVER

**316 STAINLESS STEEL EXTENSION SPRINGS**

Catalog Number	Outside Diameter (OD)		Wire Diameter (d)		Free Length (L) Approx.		Ext. (L1)		Load P at L1		Initial Tension T (Ref. Only)		Spring Rate (R)	
	in	mm	in	mm	in	mm	in	mm	lb	N	lb	N	lb/in	N/mm
E0650-069-4000-X					4.000	101.60	6.34	161.16	9.59	42.66	36.23	7.04	3.4	0.598
E0650-069-4500-X	0.650	16.51	0.069	1.75	4.500	114.30	7.25	184.07	9.59	42.66	41.38	7.04	2.9	0.511
E0650-069-5000-X					5.000	127.00	8.20	208.40	9.59	42.66	46.85	7.04	2.5	0.438
E0750-049-2000-X					2.000	50.80	3.29	83.69	2.97	13.22	18.81	2.19	1.9	0.336
E0750-049-2250-X					2.250	57.15	4.24	107.58	2.97	13.22	24.19	2.19	1.2	0.219
E0750-049-2500-X					2.500	63.50	4.98	126.53	2.97	13.22	28.45	2.19	1.0	0.175
E0750-049-2750-X			0.049	1.24	2.750	69.85	6.06	153.90	2.97	13.22	34.60	2.19	0.7	0.131
E0750-049-3000-X					3.000	76.20	6.72	170.75	2.97	13.22	38.39	2.19	0.7	0.117
E0750-049-3250-X					3.250	82.55	7.50	190.61	2.97	13.22	42.85	2.19	0.6	0.102
E0750-049-3500-X					3.500	88.90	8.46	214.97	2.97	13.22	48.33	2.19	0.5	0.088
E0750-055-2000-X					2.000	50.80	3.30	83.82	4.24	18.86	18.84	2.96	2.7	0.481
E0750-055-2250-X					2.250	57.15	4.04	102.55	4.24	18.86	23.06	2.96	2.0	0.350
E0750-055-2500-X			0.055	1.40	2.500	63.50	4.76	120.85	4.24	18.86	27.17	2.96	1.6	0.277
E0750-055-2750-X					2.750	69.85	5.61	142.50	4.24	18.86	32.04	2.96	1.2	0.219
E0750-055-3000-X					3.000	76.20	6.30	160.02	4.24	18.86	35.98	2.96	1.1	0.190
E0750-055-3500-X					3.500	88.90	7.79	197.87	4.24	18.86	44.49	2.96	0.8	0.146
E0750-063-2000-X					2.000	50.80	2.97	75.44	6.25	27.81	16.96	4.45	5.4	0.948
E0750-063-2250-X					2.250	57.15	3.56	90.52	6.25	27.81	20.35	4.45	4.0	0.700
E0750-063-2500-X					2.500	63.50	4.20	106.79	6.25	27.81	24.01	4.45	3.1	0.540
E0750-063-2750-X					2.750	69.85	4.72	119.90	6.25	27.81	26.96	4.45	2.7	0.467
E0750-063-3000-X			0.063	1.60	3.000	76.20	5.43	137.80	6.25	27.81	30.98	4.45	2.2	0.379
E0750-063-3500-X					3.500	88.90	6.65	168.98	6.25	27.81	37.99	4.45	1.7	0.292
E0750-063-4000-X					4.000	101.60	7.71	195.81	6.25	27.81	44.02	4.45	1.4	0.248
E0750-063-4500-X	0.750	19.05			4.500	114.30	9.00	228.70	6.25	27.81	51.42	4.45	1.2	0.204
E0750-063-5000-X					5.000	127.00	10.25	260.47	6.25	27.81	58.56	4.45	1.0	0.175
E0750-063-5500-X					5.500	139.70	11.23	285.30	6.25	27.81	64.14	4.45	0.9	0.160
E0750-069-2000-X					2.000	50.80	2.68	68.02	8.18	36.39	15.29	5.74	10.2	1.780
E0750-069-2250-X					2.250	57.15	3.22	81.87	8.18	36.39	18.41	5.74	7.1	1.240
E0750-069-2500-X					2.500	63.50	3.75	95.33	8.18	36.39	21.43	5.74	5.5	0.963
E0750-069-2750-X					2.750	69.85	4.31	109.49	8.18	36.39	24.62	5.74	4.4	0.773
E0750-069-3000-X			0.069	1.75	3.000	76.20	4.84	122.89	8.18	36.39	27.63	5.74	3.7	0.656
E0750-069-3500-X					3.500	88.90	5.93	150.69	8.18	36.39	33.88	5.74	2.8	0.496
E0750-069-4000-X					4.000	101.60	6.95	176.63	8.18	36.39	39.71	5.74	2.3	0.408
E0750-069-4500-X					4.500	114.30	8.10	205.64	8.18	36.39	46.23	5.74	1.9	0.336
E0750-069-5000-X					5.000	127.00	9.14	232.05	8.18	36.39	52.17	5.74	1.7	0.292
E0750-075-2000-X					2.000	50.80	2.66	67.49	10.45	46.49	15.17	7.04	13.5	2.363
E0750-075-2250-X					2.250	57.15	3.15	80.07	10.45	46.49	18.00	7.04	9.8	1.721
E0750-075-2500-X					2.500	63.50	3.64	92.58	10.45	46.49	20.81	7.04	7.7	1.357
E0750-075-2750-X					2.750	69.85	4.10	104.08	10.45	46.49	23.40	7.04	6.6	1.152
E0750-075-3000-X			0.075	1.91	3.000	76.20	4.59	116.56	10.45	46.49	26.21	7.04	5.6	0.977
E0750-075-3500-X					3.500	88.90	5.55	140.91	10.45	46.49	31.68	7.04	4.3	0.759
E0750-075-4000-X					4.000	101.60	6.54	165.99	10.45	46.49	37.32	7.04	3.5	0.613
E0750-075-4500-X					4.500	114.30	7.54	191.57	10.45	46.49	43.07	7.04	2.9	0.511
E0750-075-5000-X					5.000	127.00	8.43	214.24	10.45	46.49	48.17	7.04	2.6	0.452
E0750-075-5500-X					5.500	139.70	9.44	239.86	10.45	46.49	53.93	7.04	2.2	0.394



TO ORDER: WWW.ASRAYMOND.COM OR SEE PHONE & FAX NUMBERS ON BACK COVER



**316 STAINLESS STEEL EXTENSION SPRINGS**

Catalog Number	Outside Diameter (OD)		Wire Diameter (d)		Free Length (L) Approx.		Ext. (L1)		Load P at L1		Initial Tension T (Ref. Only)		Spring Rate (R)	
	in	mm	in	mm	in	mm	in	mm	lb	N	lb	N	lb/in	N/mm
E0750-075-6000-X			0.075	1.191	6.000	152.40	10.44	265.08	10.45	46.49	59.60	7.04	2.0	0.350
E0750-085-2000-X					2.000	50.80	2.45	62.32	15.12	67.24	14.01	10.26	28.2	4.945
E0750-085-2250-X					2.250	57.15	2.88	73.16	15.12	67.24	16.45	10.26	20.3	3.559
E0750-085-2500-X					2.500	63.50	3.31	84.06	15.12	67.24	18.90	10.26	15.8	2.772
E0750-085-2750-X					2.750	69.85	3.74	94.89	15.12	67.24	21.33	10.26	13.0	2.276
E0750-085-3000-X			0.085	2.16	3.000	76.20	4.16	105.79	15.12	67.24	23.78	10.26	11.0	1.926
E0750-085-3500-X					3.500	88.90	5.02	127.57	15.12	67.24	28.68	10.26	8.4	1.473
E0750-085-4000-X					4.000	101.60	5.88	149.23	15.12	67.24	33.55	10.26	6.8	1.196
E0750-085-4500-X					4.500	114.30	6.73	170.91	15.12	67.24	38.42	10.26	5.7	1.007
E0750-085-5000-X					5.000	127.00	7.56	192.10	15.12	67.24	43.19	10.26	5.0	0.875
E0750-095-2000-X					2.000	50.80	2.36	59.95	20.95	93.18	13.48	13.75	49.6	8.679
E0750-095-2250-X					2.250	57.15	2.74	69.55	20.95	93.18	15.64	13.75	36.6	6.404
E0750-095-2500-X					2.500	63.50	3.14	79.85	20.95	93.18	17.95	13.75	27.7	4.858
E0750-095-2750-X					2.750	69.85	3.52	89.44	20.95	93.18	20.11	13.75	23.2	4.055
E0750-095-3000-X					3.000	76.20	3.90	99.08	20.95	93.18	22.28	13.75	19.8	3.472
E0750-095-3500-X			0.095	2.41	3.500	88.90	4.68	118.99	20.95	93.18	26.75	13.75	15.1	2.640
E0750-095-4000-X					4.000	101.60	5.44	138.15	20.95	93.18	31.06	13.75	12.4	2.174
E0750-095-4500-X					4.500	114.30	6.23	158.21	20.95	93.18	35.57	13.75	10.3	1.809
E0750-095-5000-X					5.000	127.00	6.99	177.42	20.95	93.18	39.89	13.75	9.0	1.575
E0750-095-5500-X					5.500	139.70	7.76	197.02	20.95	93.18	44.29	13.75	7.9	1.386
E0750-095-6000-X					6.000	152.40	8.52	216.46	20.95	93.18	48.67	13.75	7.1	1.240
E0750-105-2000-X					2.000	50.80	2.29	58.09	28.07	124.86	13.06	18.34	83.5	14.617
E0750-105-2250-X	0.750	19.50			2.250	57.15	2.65	67.24	28.07	124.86	15.12	18.34	60.3	10.561
E0750-105-2500-X					2.500	63.50	3.01	76.40	28.07	124.86	17.18	18.34	47.1	8.256
E0750-105-2750-X					2.750	69.85	3.37	85.55	28.07	124.86	19.23	18.34	38.7	6.783
E0750-105-3000-X			0.105	2.67	3.000	76.20	3.73	94.69	28.07	124.86	21.29	18.34	32.9	5.762
E0750-105-3500-X					3.500	88.90	4.43	112.46	28.07	124.86	25.28	18.34	25.8	4.522
E0750-105-4000-X					4.000	101.60	5.15	130.81	28.07	124.86	29.41	18.34	20.8	3.647
E0750-105-4500-X					4.500	114.30	5.85	148.58	28.07	124.86	33.40	18.34	17.7	3.107
E0750-105-5000-X					5.000	127.00	6.57	166.90	28.07	124.86	37.52	18.34	15.2	2.669
E0750-115-2000-X					2.000	50.80	2.25	57.14	36.64	162.98	12.85	23.23	125.9	22.041
E0750-115-2250-X					2.250	57.15	2.58	65.44	36.64	162.98	14.71	23.23	96.2	16.848
E0750-115-2500-X					2.500	63.50	2.92	74.23	36.64	162.98	16.69	23.23	74.4	13.026
E0750-115-2750-X					2.750	69.85	3.25	82.54	36.64	162.98	18.56	23.23	62.9	11.013
E0750-115-3000-X					3.000	76.20	3.58	90.83	36.64	162.98	20.42	23.23	54.6	9.555
E0750-115-3500-X			0.115	2.92	3.500	88.90	4.25	107.91	36.64	162.98	24.26	23.23	42.0	7.352
E0750-115-4000-X					4.000	101.60	4.92	125.02	36.64	162.98	28.11	23.23	34.1	5.966
E0750-115-4500-X					4.500	114.30	5.57	141.59	36.64	162.98	31.83	23.23	29.2	5.120
E0750-115-5000-X					5.000	127.00	6.25	158.72	36.64	162.98	35.68	23.23	25.2	4.405
E0750-115-5500-X					5.500	139.70	6.92	175.85	36.64	162.98	39.53	23.23	22.1	3.866
E0750-115-6000-X					6.000	152.40	7.58	192.48	36.64	162.98	43.27	23.23	19.9	3.486
E0750-125-2000-X					2.000	50.80	2.20	55.91	46.71	207.75	12.57	29.31	199.6	34.951
E0750-125-2250-X			0.125	3.18	2.250	57.15	2.52	63.96	46.71	207.75	14.38	29.31	149.7	26.213
E0750-125-2500-X					2.500	63.50	2.83	72.01	46.71	207.75	16.19	29.31	119.8	20.977
E0750-125-2750-X					2.750	69.85	3.15	80.06	46.71	207.75	18.00	29.31	99.8	17.476



**SPEC**

TO ORDER: [WWW.ASRAYMOND.COM](http://WWW.ASRAYMOND.COM) OR SEE PHONE & FAX NUMBERS ON BACK COVER

**316 STAINLESS STEEL EXTENSION SPRINGS**

Catalog Number	Outside Diameter (OD)		Wire Diameter (d)		Free Length (L) Approx.		Ext. (L1)		Load P at L1		Initial Tension T (Ref. Only)		Spring Rate (R)	
	in	mm	in	mm	in	mm	in	mm	lb	N	lb	N	lb/in	N/mm
E0750-125-3000-X					3.000	76.20	3.47	88.11	46.71	207.75	19.81	29.31	85.5	14.981
E0750-125-3500-X					3.500	88.90	4.10	104.21	46.71	207.75	23.43	29.31	66.6	11.655
E0750-125-4000-X	0.750	19.50	0.125	3.18	4.000	101.60	4.74	120.33	46.71	207.75	27.05	29.31	54.4	9.526
E0750-125-4500-X					4.500	114.30	5.37	136.42	46.71	207.75	30.67	29.31	46.1	8.067
E0750-125-5000-X					5.000	127.00	6.01	152.54	46.71	207.75	34.29	29.31	39.9	6.987
E0850-055-2000-X					2.000	50.80	3.15	80.08	3.66	16.26	18.00	2.59	2.7	0.467
E0850-055-2250-X			0.055	1.40	2.250	57.15	4.01	101.76	3.66	16.26	22.88	2.59	1.7	0.306
E0850-055-2500-X					2.500	63.50	4.81	122.05	3.66	16.26	27.44	2.59	1.3	0.233
E0850-055-2750-X					2.750	69.85	5.82	147.92	3.66	16.26	33.26	2.59	1.0	0.175
E0850-063-2250-X					2.250	57.15	3.70	94.04	5.55	24.69	21.14	3.71	3.2	0.569
E0850-063-2500-X					2.500	63.50	4.45	113.11	5.55	24.69	25.43	3.71	2.4	0.423
E0850-063-2750-X			0.063	1.60	2.750	69.85	5.21	132.40	5.55	24.69	29.77	3.71	1.9	0.336
E0850-063-3000-X					3.000	76.20	5.98	151.91	5.55	24.69	34.15	3.71	1.6	0.277
E0850-063-3500-X					3.500	88.90	7.55	191.65	5.55	24.69	43.09	3.71	1.2	0.204
E0850-075-2250-X					2.250	57.15	3.20	81.31	9.10	40.49	18.28	6.30	8.1	1.415
E0850-075-2500-X					2.500	63.50	3.73	94.75	9.10	40.49	21.30	6.30	6.2	1.094
E0850-075-2750-X					2.750	69.85	4.29	108.91	9.10	40.49	24.49	6.30	5.0	0.875
E0850-075-3000-X			0.075	1.91	3.000	76.20	4.85	123.08	9.10	40.49	27.67	6.30	4.2	0.729
E0850-075-3500-X					3.500	88.90	5.93	150.58	9.10	40.49	33.85	6.30	3.2	0.554
E0850-075-4000-X	0.850	21.59			4.000	101.60	7.08	179.73	9.10	40.49	40.41	6.30	2.5	0.438
E0850-075-4500-X					4.500	114.30	8.19	208.06	9.10	40.49	46.78	6.30	2.1	0.365
E0850-075-5000-X					5.000	127.00	9.19	233.54	9.10	40.49	52.50	6.30	1.8	0.321
E0850-085-2000-X					2.000	50.80	2.39	60.79	13.14	58.45	13.67	8.89	28.3	4.960
E0850-085-2250-X					2.250	57.15	2.95	74.84	13.14	58.45	16.83	8.89	16.0	2.801
E0850-085-2500-X					2.500	63.50	3.46	87.77	13.14	58.45	19.73	8.89	11.7	2.042
E0850-085-2750-X					2.750	69.85	3.93	99.91	13.14	58.45	22.46	8.89	9.4	1.648
E0850-085-3000-X					3.000	76.20	4.41	111.96	13.14	58.45	25.17	8.89	7.9	1.386
E0850-085-3500-X			0.085	2.16	3.500	88.90	5.33	135.44	13.14	58.45	30.45	8.89	6.1	1.065
E0850-085-4000-X					4.000	101.60	6.31	160.17	13.14	58.45	36.01	8.89	4.8	0.846
E0850-085-4500-X					4.500	114.30	7.23	183.63	13.14	58.45	41.28	8.89	4.1	0.715
E0850-085-4750-X					4.750	120.65	7.72	196.15	13.14	58.45	44.10	8.89	3.7	0.656
E0850-085-5000-X					5.000	127.00	8.18	207.89	13.14	58.45	46.74	8.89	3.5	0.613
E0850-085-5500-X					5.500	139.70	9.22	234.07	13.14	58.45	52.62	8.89	3.0	0.525
E0850-085-6000-X					6.000	152.40	10.18	258.57	13.14	58.45	58.13	8.89	2.7	0.467
E1000-063-2500-X					2.500	63.50	4.27	108.47	4.58	20.39	24.39	3.33	2.2	0.379
E1000-063-2750-X			0.063	1.60	2.750	69.85	5.17	131.39	4.58	20.39	29.54	3.33	1.6	0.277
E1000-063-3000-X					3.000	76.20	6.07	154.15	4.58	20.39	34.66	3.33	1.2	0.219
E1000-063-3250-X					3.250	82.55	7.09	179.98	4.58	20.39	40.46	3.33	1.0	0.175
E1000-075-2500-X					2.500	63.50	3.73	94.77	7.63	33.92	21.31	5.19	5.2	0.919
E1000-075-2750-X	1.000	25.40			2.750	69.85	4.44	112.67	7.63	33.92	25.33	5.19	3.8	0.671
E1000-075-3000-X					3.000	76.20	5.15	130.91	7.63	33.92	29.43	5.19	3.0	0.525
E1000-075-3500-X			0.075	1.91	3.500	88.90	6.48	164.66	7.63	33.92	37.02	5.19	2.2	0.379
E1000-075-4000-X					4.000	101.60	7.88	200.09	7.63	33.92	44.98	5.19	1.7	0.292
E1000-075-4500-X					4.500	114.30	9.06	230.16	7.63	33.92	51.75	5.19	1.4	0.248
E1000-075-5000-X					5.000	127.00	10.54	267.69	7.63	33.92	60.18	5.19	1.2	0.204



TO ORDER: [WWW.ASRAYMOND.COM](http://WWW.ASRAYMOND.COM) OR SEE PHONE & FAX NUMBERS ON BACK COVER



**316 STAINLESS STEEL EXTENSION SPRINGS**

Catalog Number	Outside Diameter (OD)		Wire Diameter (d)		Free Length (L) Approx.		Ext. (L1)		Load P at L1		Initial Tension T (Ref. Only)		Spring Rate (R)	
	in	mm	in	mm	in	mm	in	mm	lb	N	lb	N	lb/in	N/mm
E1000-085-2500-X					2.500	63.50	3.29	83.66	10.99	48.87	18.81	7.41	11.7	2.057
E1000-085-2750-X					2.750	69.85	4.07	103.29	10.99	48.87	23.22	7.41	7.1	1.240
E1000-085-3000-X					3.000	76.20	4.65	118.00	10.99	48.87	26.53	7.41	5.7	0.992
E1000-085-3500-X			0.085	2.16	3.500	88.90	5.74	145.74	10.99	48.87	32.77	7.41	4.2	0.729
E1000-085-4000-X					4.000	101.60	6.87	174.48	10.99	48.87	39.23	7.41	3.2	0.569
E1000-085-4500-X					4.500	114.30	8.00	203.12	10.99	48.87	45.66	7.41	2.7	0.467
E1000-085-5000-X					5.000	127.00	9.14	232.27	10.99	48.87	52.22	7.41	2.2	0.394
E1000-095-2500-X					2.500	63.50	3.14	79.84	15.16	67.44	17.95	10.00	20.1	3.516
E1000-095-2750-X					2.750	69.85	3.78	96.10	15.16	67.44	21.61	10.00	12.5	2.188
E1000-095-3000-X					3.000	76.20	4.27	108.47	15.16	67.44	24.39	10.00	10.2	1.780
E1000-095-3500-X					3.500	88.90	5.28	134.16	15.16	67.44	30.16	10.00	7.2	1.269
E1000-095-4000-X					4.000	101.60	6.25	158.66	15.16	67.44	35.67	10.00	5.7	1.007
E1000-095-4500-X					4.500	114.30	7.27	184.61	15.16	67.44	41.50	10.00	4.7	0.817
E1000-095-5000-X			0.095	2.41	5.000	127.00	8.23	209.03	15.16	67.44	46.99	10.00	4.0	0.700
E1000-095-5500-X					5.500	139.70	9.28	235.73	15.16	67.44	53.00	10.00	3.4	0.598
E1000-095-6000-X					6.000	152.40	10.31	261.77	15.16	67.44	58.85	10.00	3.0	0.525
E1000-095-6500-X					6.500	165.10	11.20	284.41	15.16	67.44	63.94	10.00	2.7	0.481
E1000-095-7000-X					7.000	177.80	12.35	313.57	15.16	67.44	70.50	10.00	2.4	0.423
E1000-095-8000-X					8.000	203.20	14.46	367.26	15.16	67.44	82.57	10.00	2.0	0.350
E1000-095-9000-X					9.000	228.60	16.38	416.09	15.16	67.44	93.55	10.00	1.7	0.306
E1000-105-2500-X					2.500	63.50	3.03	76.84	20.23	89.98	17.28	14.08	32.5	5.689
E1000-105-2750-X					2.750	69.85	3.48	88.30	20.23	89.98	19.85	14.08	23.5	4.114
E1000-105-3000-X	1.000	25.40			3.000	76.20	3.93	99.74	20.23	89.98	22.42	14.08	18.4	3.224
E1000-105-3500-X					3.500	88.90	4.83	122.69	20.23	89.98	27.58	14.08	12.8	2.246
E1000-105-4000-X					4.000	101.60	5.72	145.32	20.23	89.98	32.67	14.08	9.9	1.736
E1000-105-4500-X					4.500	114.30	6.63	168.50	20.23	89.98	37.88	14.08	8.0	1.400
E1000-105-5000-X			0.105	2.67	5.000	127.00	7.53	191.24	20.23	89.98	42.99	14.08	6.7	1.182
E1000-105-5500-X					5.500	139.70	8.43	214.03	20.23	89.98	48.12	14.08	5.8	1.021
E1000-105-6000-X					6.000	152.40	9.30	236.32	20.23	89.98	53.13	14.08	5.2	0.904
E1000-105-6500-X					6.500	165.10	10.22	259.70	20.23	89.98	58.39	14.08	4.6	0.802
E1000-105-7000-X					7.000	177.80	11.10	281.86	20.23	89.98	63.37	14.08	4.2	0.729
E1000-105-8000-X					8.000	203.20	12.88	327.08	20.23	89.98	73.54	14.08	3.5	0.613
E1000-105-9000-X					9.000	228.60	14.69	373.13	20.23	89.98	83.89	14.08	3.0	0.525
E1000-115-2500-X					2.500	63.50	2.94	74.71	26.29	116.94	16.80	18.16	50.3	8.811
E1000-115-2750-X					2.750	69.85	3.35	85.14	26.29	116.94	19.14	18.16	36.9	6.462
E1000-115-3000-X					3.000	76.20	3.76	95.55	26.29	116.94	21.48	18.16	29.2	5.106
E1000-115-3500-X					3.500	88.90	4.58	116.32	26.29	116.94	26.15	18.16	20.6	3.603
E1000-115-4000-X					4.000	101.60	5.40	137.24	26.29	116.94	30.85	18.16	15.8	2.772
E1000-115-4500-X			0.115	2.92	4.500	114.30	6.22	157.99	26.29	116.94	35.52	18.16	12.9	2.261
E1000-115-5000-X					5.000	127.00	7.04	178.69	26.29	116.94	40.17	18.16	10.9	1.911
E1000-115-5500-X					5.500	139.70	7.86	199.63	26.29	116.94	44.88	18.16	9.4	1.648
E1000-115-6000-X					6.000	152.40	8.67	220.12	26.29	116.94	49.49	18.16	8.3	1.459
E1000-115-6500-X					6.500	165.10	9.53	242.05	26.29	116.94	54.42	18.16	7.3	1.284
E1000-115-7000-X					7.000	177.80	10.29	261.40	26.29	116.94	58.77	18.16	6.7	1.182
E1000-115-8000-X					8.000	203.20	11.98	304.27	26.29	116.94	68.41	18.16	5.6	0.977



**316 STAINLESS STEEL EXTENSION SPRINGS**

Catalog Number	Outside Diameter (OD)		Wire Diameter (d)		Free Length (L) Approx.		Ext. (L1)		Load P at L1		Initial Tension T (Ref. Only)		Spring Rate (R)	
	in	mm	in	mm	in	mm	in	mm	lb	N	lb	N	lb/in	N/mm
E1000-115-9000-X			0.115	2.92	9.000	228.60	13.60	345.36	26.29	116.94	77.64	18.16	4.8	0.846
E1000-125-2500-X					2.500	63.50	2.89	73.37	33.36	148.39	16.50	22.64	72.7	12.735
E1000-125-2750-X					2.750	69.85	3.27	83.01	33.36	148.39	18.66	22.64	54.6	9.555
E1000-125-3000-X					3.000	76.20	3.65	92.65	33.36	148.39	20.83	22.64	43.6	7.644
E1000-125-3500-X					3.500	88.90	4.41	111.95	33.36	148.39	25.17	22.64	31.2	5.456
E1000-125-4000-X					4.000	101.60	5.17	131.22	33.36	148.39	29.50	22.64	24.2	4.245
E1000-125-4500-X					4.500	114.30	5.93	150.52	33.36	148.39	33.84	22.64	19.8	3.472
E1000-125-5000-X			0.125	3.18	5.000	127.00	6.69	169.89	33.36	148.39	38.19	22.64	16.7	2.932
E1000-125-5500-X					5.500	139.70	7.44	188.96	33.36	148.39	42.48	22.64	14.6	2.553
E1000-125-6000-X					6.000	152.40	8.20	208.38	33.36	148.39	46.85	22.64	12.8	2.246
E1000-125-6500-X					6.500	165.10	8.96	227.57	33.36	148.39	51.16	22.64	11.5	2.013
E1000-125-7000-X					7.000	177.80	9.72	246.76	33.36	148.39	55.48	22.64	10.4	1.823
E1000-125-8000-X					8.000	203.20	11.23	285.30	33.36	148.39	64.14	22.64	8.7	1.532
E1000-125-9000-X					9.000	228.60	12.77	324.38	33.36	148.39	72.93	22.64	7.5	1.313
E1000-135-2500-X					2.500	63.50	2.82	71.51	41.54	184.76	16.08	28.01	111.7	19.562
E1000-135-2750-X					2.750	69.85	3.18	80.77	41.54	184.76	18.16	28.01	82.0	14.354
E1000-135-3000-X					3.000	76.20	3.54	90.03	41.54	184.76	20.24	28.01	64.7	11.334
E1000-135-3500-X					3.500	88.90	4.25	107.85	41.54	184.76	24.25	28.01	47.2	8.271
E1000-135-4000-X					4.000	101.60	4.95	125.64	41.54	184.76	28.25	28.01	37.2	6.521
E1000-135-4500-X	1.000	25.40			4.500	114.30	5.68	144.15	41.54	184.76	32.41	28.01	30.0	5.251
E1000-135-5000-X			0.135	3.43	5.000	127.00	6.38	162.00	41.54	184.76	36.42	28.01	25.6	4.478
E1000-135-5500-X					5.500	139.70	7.11	180.56	41.54	184.76	40.59	28.01	21.9	3.836
E1000-135-6000-X					6.000	152.40	7.81	198.32	41.54	184.76	44.59	28.01	19.5	3.413
E1000-135-6500-X					6.500	165.10	8.53	216.76	41.54	184.76	48.73	28.01	17.3	3.034
E1000-135-7000-X					7.000	177.80	9.24	234.65	41.54	184.76	52.76	28.01	15.7	2.757
E1000-135-8000-X					8.000	203.20	10.66	270.78	41.54	184.76	60.88	28.01	13.2	2.319
E1000-135-9000-X					9.000	228.60	12.09	307.03	41.54	184.76	69.03	28.01	11.4	1.998
E1000-148-2500-X					2.500	63.50	2.77	70.39	53.88	239.64	15.82	35.87	168.9	29.583
E1000-148-2750-X					2.750	69.85	3.10	78.62	53.88	239.64	17.68	35.87	132.7	23.238
E1000-148-3000-X					3.000	76.20	3.44	87.47	53.88	239.64	19.67	35.87	103.2	18.074
E1000-148-3500-X					3.500	88.90	4.09	103.94	53.88	239.64	23.37	35.87	77.4	13.552
E1000-148-4000-X					4.000	101.60	4.76	121.03	53.88	239.64	27.21	35.87	59.9	10.488
E1000-148-4500-X					4.500	114.30	5.44	138.10	53.88	239.64	31.05	35.87	48.9	8.563
E1000-148-5000-X			0.148	3.76	5.000	127.00	6.11	155.16	53.88	239.64	34.88	35.87	41.3	7.235
E1000-148-5500-X					5.500	139.70	6.76	171.67	53.88	239.64	38.59	35.87	36.4	6.375
E1000-148-6000-X					6.000	152.40	7.43	188.68	53.88	239.64	42.42	35.87	32.1	5.616
E1000-148-6500-X					6.500	165.10	8.10	205.83	53.88	239.64	46.27	35.87	28.6	5.003
E1000-148-7000-X					7.000	177.80	8.77	222.86	53.88	239.64	50.10	35.87	25.8	4.522
E1000-148-8000-X					8.000	203.20	10.10	256.52	53.88	239.64	57.67	35.87	21.8	3.822
E1000-148-9000-X					9.000	228.60	11.44	290.69	53.88	239.64	65.35	35.87	18.7	3.282
E1125-085-3000-X					3.000	76.20	4.39	111.44	9.67	42.99	25.05	7.00	5.8	1.021
E1125-085-3500-X					3.500	88.90	5.76	146.27	9.67	42.99	32.88	7.00	3.6	0.627
E1125-085-4000-X	1.125	28.58	0.085	2.16	4.000	101.60	7.13	181.18	9.67	42.99	40.73	7.00	2.6	0.452
E1125-085-4500-X					4.500	114.30	8.39	212.98	9.67	42.99	47.88	7.00	2.1	0.365
E1125-085-5000-X					5.000	127.00	9.86	250.35	9.67	42.99	56.28	7.00	1.7	0.292



TO ORDER: [WWW.ASRAYMOND.COM](http://WWW.ASRAYMOND.COM) OR SEE PHONE & FAX NUMBERS ON BACK COVER



**316 STAINLESS STEEL EXTENSION SPRINGS**

Catalog Number	Outside Diameter (OD)		Wire Diameter (d)		Free Length (L) Approx.		Ext. (L1)		Load P at L1		Initial Tension T (Ref. Only)		Spring Rate (R)	
	in	mm	in	mm	in	mm	in	mm	lb	N	lb	N	lb/in	N/mm
E1125-085-5500-X					5.500	139.70	11.21	284.82	9.67	42.99	64.03	7.00	1.4	0.248
E1125-085-6000-X			0.085	2.16	6.000	152.40	12.48	316.87	9.67	42.99	71.24	7.00	1.2	0.219
E1125-085-6500-X					6.500	165.10	13.97	354.87	9.67	42.99	79.78	7.00	1.1	0.190
E1125-085-7000-X					7.000	177.80	15.09	383.38	9.67	42.99	86.19	7.00	1.0	0.175
E1125-105-3000-X					3.000	76.20	3.91	99.41	17.75	78.95	22.35	12.60	16.3	2.859
E1125-105-3500-X					3.500	88.90	4.93	125.29	17.75	78.95	28.17	12.60	10.4	1.823
E1125-105-4000-X					4.000	101.60	5.95	151.04	17.75	78.95	33.96	12.60	7.7	1.342
E1125-105-4500-X					4.500	114.30	6.95	176.61	17.75	78.95	39.71	12.60	6.1	1.065
E1125-105-5000-X			0.105	2.67	5.000	127.00	7.98	202.81	17.75	78.95	45.60	12.60	5.0	0.875
E1125-105-5500-X					5.500	139.70	9.01	228.89	17.75	78.95	51.46	12.60	4.2	0.744
E1125-105-6000-X	1.125	28.58			6.000	152.40	9.98	253.48	17.75	78.95	56.99	12.60	3.7	0.656
E1125-105-6500-X					6.500	165.10	11.09	281.73	17.75	78.95	63.34	12.60	3.2	0.569
E1125-105-7000-X					7.000	177.80	12.12	307.76	17.75	78.95	69.19	12.60	2.9	0.511
E1125-125-3000-X					3.000	76.20	3.64	92.44	29.19	129.84	20.78	20.42	38.5	6.739
E1125-125-3500-X					3.500	88.90	4.47	113.66	29.19	129.84	25.55	20.42	25.2	4.420
E1125-125-4000-X					4.000	101.60	5.31	134.94	29.19	129.84	30.34	20.42	18.7	3.282
E1125-125-4500-X					4.500	114.30	6.15	156.21	29.19	129.84	35.12	20.42	14.9	2.611
E1125-125-5000-X			0.125	3.18	5.000	127.00	6.98	177.34	29.19	129.84	39.87	20.42	12.4	2.174
E1125-125-5500-X					5.500	139.70	7.83	198.77	29.19	129.84	44.69	20.42	10.6	1.853
E1125-125-6000-X					6.000	152.40	8.66	219.98	29.19	129.84	49.46	20.42	9.2	1.619
E1125-125-6500-X					6.500	165.10	9.48	240.87	29.19	129.84	54.15	20.42	8.2	1.444
E1125-125-7000-X					7.000	177.80	10.32	262.08	29.19	129.84	58.92	20.42	7.4	1.298
E1250-095-3500-X					3.500	88.90	5.28	134.13	11.88	52.84	30.16	8.63	5.6	0.977
E1250-095-4000-X					4.000	101.60	6.59	167.48	11.88	52.84	37.65	8.63	3.8	0.671
E1250-095-4500-X					4.500	114.30	7.91	200.89	11.88	52.84	45.16	8.63	2.9	0.511
E1250-095-5000-X			0.095	2.41	5.000	127.00	9.26	235.23	11.88	52.84	52.88	8.63	2.3	0.408
E1250-095-5500-X					5.500	139.70	10.69	271.46	11.88	52.84	61.03	8.63	1.9	0.336
E1250-095-6000-X					6.000	152.40	11.97	303.92	11.88	52.84	68.33	8.63	1.7	0.292
E1250-095-6500-X					6.500	165.10	13.13	333.46	11.88	52.84	74.97	8.63	1.5	0.263
E1250-095-7500-X					7.500	190.50	16.02	406.96	11.88	52.84	91.49	8.63	1.2	0.204
E1250-115-3500-X					3.500	88.90	4.69	119.22	20.50	91.18	26.80	14.67	14.4	2.524
E1250-115-4000-X					4.000	101.60	5.71	144.95	20.50	91.18	32.59	14.67	10.1	1.765
E1250-115-4500-X					4.500	114.30	6.74	171.31	20.50	91.18	38.51	14.67	7.7	1.342
E1250-115-5000-X	1.250	31.75			5.000	127.00	7.75	196.93	20.50	91.18	44.27	14.67	6.2	1.094
E1250-115-5500-X			0.115	2.92	5.500	139.70	8.78	222.95	20.50	91.18	50.12	14.67	5.2	0.919
E1250-115-6000-X					6.000	152.40	9.82	249.53	20.50	91.18	56.10	14.67	4.5	0.788
E1250-115-6500-X					6.500	165.10	10.80	274.37	20.50	91.18	61.68	14.67	4.0	0.700
E1250-115-7000-X					7.000	177.80	11.80	299.77	20.50	91.18	67.39	14.67	3.6	0.627
E1250-115-7500-X					7.500	190.50	12.93	328.52	20.50	91.18	73.86	14.67	3.2	0.554
E1250-135-3500-X					3.500	88.90	4.34	110.35	32.23	143.34	24.81	22.90	32.1	5.616
E1250-135-4000-X					4.000	101.60	5.20	131.96	32.23	143.34	29.67	22.90	22.7	3.968
E1250-135-4500-X			0.135	3.43	4.500	114.30	6.04	153.43	32.23	143.34	34.49	22.90	17.6	3.078
E1250-135-5000-X					5.000	127.00	6.89	175.00	32.23	143.34	39.34	22.90	14.3	2.509
E1250-135-5500-X					5.500	139.70	7.74	196.64	32.23	143.34	44.21	22.90	12.1	2.115
E1250-135-6000-X					6.000	152.40	8.60	218.45	32.23	143.34	49.11	22.90	10.4	1.823



**SPEC**

TO ORDER: [WWW.ASRAYMOND.COM](http://WWW.ASRAYMOND.COM) OR SEE PHONE & FAX NUMBERS ON BACK COVER

**316 STAINLESS STEEL EXTENSION SPRINGS**

Catalog Number	Outside Diameter (OD)		Wire Diameter (d)		Free Length (L) Approx.		Ext. (L1)		Load P at L1		Initial Tension T (Ref. Only)		Spring Rate (R)	
	in	mm	in	mm	in	mm	in	mm	lb	N	lb	N	lb/in	N/mm
E1250-135-6500-X					6.500	165.10	9.46	240.16	32.23	143.34	53.99	22.90	9.2	1.605
E1250-135-7000-X			0.135	3.43	7.000	177.80	10.28	261.20	32.23	143.34	58.72	22.90	8.2	1.444
E1250-135-7500-X					7.500	190.50	11.15	283.27	32.23	143.34	63.69	22.90	7.4	1.298
E1250-148-3500-X					3.500	88.90	4.19	106.44	41.65	185.28	23.93	29.46	50.7	8.884
E1250-148-4000-X					4.000	101.60	4.97	126.16	41.65	185.28	28.36	29.46	36.2	6.345
E1250-148-4500-X	1.250	31.75			4.500	114.30	5.74	145.81	41.65	185.28	32.78	29.46	28.2	4.945
E1250-148-5000-X					5.000	127.00	6.52	165.56	41.65	185.28	37.22	29.46	23.1	4.041
E1250-148-5500-X			0.148	3.76	5.500	139.70	7.30	185.35	41.65	185.28	41.67	29.46	19.5	3.413
E1250-148-6000-X					6.000	152.40	8.07	205.02	41.65	185.28	46.09	29.46	16.9	2.961
E1250-148-6500-X					6.500	165.10	8.85	224.78	41.65	185.28	50.53	29.46	14.9	2.611
E1250-148-7000-X					7.000	177.80	9.63	244.56	41.65	185.28	54.98	29.46	13.3	2.334
E1250-148-7500-X					7.500	190.50	10.40	264.17	41.65	185.28	59.39	29.46	12.1	2.115
E1500-125-4500-X					4.500	114.30	6.55	166.29	21.23	94.43	37.38	15.56	8.7	1.517
E1500-125-5000-X					5.000	127.00	7.69	195.44	21.23	94.43	43.94	15.56	6.6	1.152
E1500-125-5500-X					5.500	139.70	8.83	224.18	21.23	94.43	50.40	15.56	5.3	0.934
E1500-125-6000-X			0.125	3.18	6.000	152.40	9.94	252.52	21.23	94.43	56.77	15.56	4.5	0.788
E1500-125-6500-X					6.500	165.10	11.03	280.13	21.23	94.43	62.98	15.56	3.9	0.686
E1500-125-7000-X					7.000	177.80	12.19	309.67	21.23	94.43	69.62	15.56	3.4	0.598
E1500-125-7500-X					7.500	190.50	13.41	340.68	21.23	94.43	76.59	15.56	3.0	0.525
E1500-125-8000-X					8.000	203.20	14.45	367.04	21.23	94.43	82.52	15.56	2.7	0.481
E1500-148-4500-X					4.500	114.30	5.90	149.90	33.95	151.02	33.70	24.82	20.2	3.545
E1500-148-5000-X					5.000	127.00	6.82	173.26	33.95	151.02	38.95	24.82	15.6	2.728
E1500-148-5500-X					5.500	139.70	7.73	196.24	33.95	151.02	44.12	24.82	12.7	2.232
E1500-148-6000-X	1.500	38.10	0.148	3.76	6.000	152.40	8.64	219.46	33.95	151.02	49.34	24.82	10.7	1.882
E1500-148-6500-X					6.500	165.10	9.54	242.34	33.95	151.02	54.48	24.82	9.3	1.634
E1500-148-7000-X					7.000	177.80	10.48	266.08	33.95	151.02	59.82	24.82	8.2	1.430
E1500-148-7500-X					7.500	190.50	11.37	288.81	33.95	151.02	64.93	24.82	7.3	1.284
E1500-148-8000-X					8.000	203.20	12.31	312.71	33.95	151.02	70.30	24.82	6.6	1.152
E1500-177-4500-X					4.500	114.30	5.43	137.84	55.39	246.36	30.99	40.65	49.9	8.738
E1500-177-5000-X					5.000	127.00	6.18	157.07	55.39	246.36	35.31	40.65	39.1	6.841
E1500-177-5500-X					5.500	139.70	6.94	176.33	55.39	246.36	39.64	40.65	32.1	5.616
E1500-177-6000-X			0.177	4.50	6.000	152.40	7.70	195.53	55.39	246.36	43.96	40.65	27.2	4.770
E1500-177-6500-X					6.500	165.10	8.45	214.76	55.39	246.36	48.28	40.65	23.7	4.143
E1500-177-7000-X					7.000	177.80	9.21	233.98	55.39	246.36	52.60	40.65	20.9	3.661
E1500-177-7500-X					7.500	190.50	9.97	253.18	55.39	246.36	56.92	40.65	18.7	3.282
E1500-177-8000-X					8.000	203.20	10.74	272.67	55.39	246.36	61.30	40.65	16.9	2.961
E1750-148-5000-X					5.000	127.00	6.91	175.44	28.65	127.45	39.44	21.45	12.5	2.188
E1750-148-5500-X					5.500	139.70	7.99	202.89	28.65	127.45	45.61	21.45	9.6	1.678
E1750-148-6000-X					6.000	152.40	9.04	229.70	28.65	127.45	51.64	21.45	7.8	1.371
E1750-148-6500-X			0.148	3.76	6.500	165.10	10.12	257.08	28.65	127.45	57.80	21.45	6.6	1.152
E1750-148-7000-X	1.750	44.45			7.000	177.80	11.21	284.66	28.65	127.45	64.00	21.45	5.7	0.992
E1750-148-7500-X					7.500	190.50	12.27	311.61	28.65	127.45	70.06	21.45	5.0	0.875
E1750-148-8000-X					8.000	203.20	13.40	340.30	28.65	127.45	76.51	21.45	4.4	0.773
E1750-148-9000-X					9.000	228.60	15.50	393.74	28.65	127.45	88.52	21.45	3.7	0.642
E1750-177-5000-X			0.177	4.50	5.000	127.00	6.27	159.22	46.58	207.20	35.79	35.20	30.5	5.339



TO ORDER: [WWW.ASRAYMOND.COM](http://WWW.ASRAYMOND.COM) OR SEE PHONE & FAX NUMBERS ON BACK COVER



### 316 STAINLESS STEEL EXTENSION SPRINGS

Catalog Number	Outside Diameter (OD)		Wire Diameter (d)		Free Length (L) Approx.		Ext. (L1)		Load P at L1		Initial Tension T (Ref. Only)		Spring Rate (R)	
	in	mm	in	mm	in	mm	in	mm	lb	N	lb	N	lb/in	N/mm
E1750-177-5500-X					5.500	139.70	7.13	181.07	46.58	207.20	40.71	35.20	23.7	4.157
E1750-177-6000-X					6.000	152.40	7.99	203.01	46.58	207.20	45.64	35.20	19.4	3.399
E1750-177-6500-X					6.500	165.10	8.86	224.95	46.58	207.20	50.57	35.20	16.4	2.874
E1750-177-7000-X			0.177	4.50	7.000	177.80	9.71	246.75	46.58	207.20	55.48	35.20	14.2	2.494
E1750-177-7500-X					7.500	190.50	10.57	268.59	46.58	207.20	60.38	35.20	12.6	2.203
E1750-177-8000-X					8.000	203.20	11.44	290.54	46.58	207.20	65.32	35.20	11.2	1.969
E1750-177-9000-X					9.000	228.60	13.14	333.88	46.58	207.20	75.06	35.20	9.3	1.634
E1750-207-5000-X	1.750	44.45			5.000	127.00	5.87	149.22	70.59	313.99	33.55	54.06	66.8	11.699
E1750-207-5500-X					5.500	139.70	6.61	167.89	70.59	313.99	37.75	54.06	52.6	9.219
E1750-207-6000-X					6.000	152.40	7.35	186.60	70.59	313.99	41.95	54.06	43.4	7.600
E1750-207-6500-X			0.207	5.26	6.500	165.10	8.08	205.32	70.59	313.99	46.16	54.06	36.9	6.462
E1750-207-7000-X					7.000	177.80	8.82	223.96	70.59	313.99	50.35	54.06	32.2	5.631
E1750-207-7500-X					7.500	190.50	9.55	242.60	70.59	313.99	54.54	54.06	28.5	4.989
E1750-207-8000-X					8.000	203.20	10.29	261.43	70.59	313.99	58.78	54.06	25.5	4.464
E1750-207-9000-X					9.000	228.60	11.76	298.75	70.59	313.99	67.17	54.06	21.2	3.705
E2000-177-5500-X					5.500	139.70	7.15	181.56	40.20	178.79	40.82	31.01	20.2	3.530
E2000-177-6000-X					6.000	152.40	8.13	206.57	40.20	178.79	46.44	31.01	15.6	2.728
E2000-177-6500-X					6.500	165.10	9.11	231.31	40.20	178.79	52.00	31.01	12.7	2.232
E2000-177-7000-X			0.177	4.50	7.000	177.80	10.09	256.33	40.20	178.79	57.63	31.01	10.7	1.882
E2000-177-7500-X					7.500	190.50	11.09	281.77	40.20	178.79	63.35	31.01	9.2	1.619
E2000-177-8000-X					8.000	203.20	12.07	306.57	40.20	178.79	68.92	31.01	8.2	1.430
E2000-177-9000-X					9.000	228.60	14.05	356.83	40.20	178.79	80.22	31.01	6.6	1.152
E2000-177-10000-X	2.000	50.80			10.000	254.00	16.04	407.49	40.20	178.79	91.61	31.01	5.5	0.963
E2000-207-5500-X					5.500	139.70	6.64	168.75	60.75	270.21	37.94	47.72	43.7	7.658
E2000-207-6000-X					6.000	152.40	7.46	189.51	60.75	270.21	42.61	47.72	34.2	5.995
E2000-207-6500-X					6.500	165.10	8.28	210.22	60.75	270.21	47.26	47.72	28.2	4.931
E2000-207-7000-X			0.207	5.26	7.000	177.80	9.09	230.94	60.75	270.21	51.92	47.72	23.9	4.187
E2000-207-7500-X					7.500	190.50	9.91	251.75	60.75	270.21	56.60	47.72	20.7	3.632
E2000-207-8000-X					8.000	203.20	10.73	272.53	60.75	270.21	61.27	47.72	18.3	3.209
E2000-207-9000-X					9.000	228.60	12.35	313.81	60.75	270.21	70.55	47.72	14.9	2.611
E2000-207-10000-X					10.000	254.00	14.00	355.68	60.75	270.21	79.96	47.72	12.5	2.188

COMPRESSION SPRINGS  
316 STAINLESS STEEL



**SPEC**

TO ORDER: [WWW.ASRAYMOND.COM](http://WWW.ASRAYMOND.COM) OR SEE PHONE & FAX NUMBERS ON BACK COVER